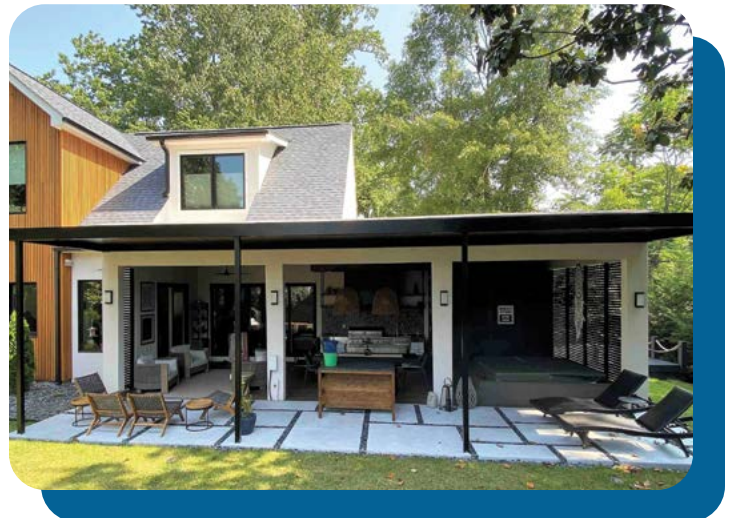
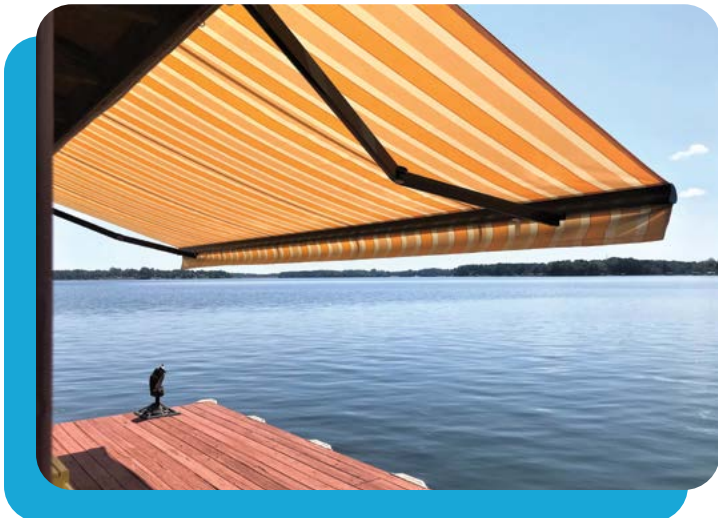




Air Vent
EXTERIORS
SUNROOMS • AWNINGS • WINDOWS



EXPAND YOUR OUTDOOR LIVING SPACE



SUNROOMS

- Sunrooms bring natural light into your home, provide protection from the elements, and add valuable living space for less money and with shorter installation times than a conventional addition.
- We can use an existing porch, deck, or patio as the foundation of your sunroom or we can build the foundation for you.
- Maintenance is a breeze as our sunrooms are easy to keep clean and will never need to be stained or painted.
- You can customize your sunroom with the roof style, ceiling fans, light fixtures, and flooring that fit your unique style.
- Add a sunroom heating/cooling system for year-round temperature control in your sunroom.



THREE-SEASON SUNROOMS

- Our three-seasons sunrooms are an affordable way to add extra square footage to your home.
- Three-season sunrooms utilize single-paned, tempered glass windows that are easily customizable and come in a variety of sizes.
- Sliding windows open wide for improved ventilation and better views.
- Our three-season sunrooms come in several standard colors with custom colors available.



ALL-SEASON SUNROOMS

- Our all-season sunrooms are the best option if you are looking for an extension to your home that you can use year-round.
- The windows in our all-season sunroom are double-paned, Energy Star™ rated, and provide UV filtration to keep floors and furniture from fading. They provide maximum energy efficiency to help keep your sunroom warmer in the winter and cooler in the summer.
- Our all-season patio rooms have sliding windows that allow for maximum ventilation and provide less obstructed views.
- The frame and roof of the all-season sunroom are insulated and the windows and doors are fusion welded to prevent leaks and drafts.

PORCH ENCLOSURES & SCREEN ROOMS



PORCH ENCLOSURES

- Porch enclosures are an easy and cost-conscious way to turn your porch into a lovely all-season or three-season sunroom that provides protection from wind, rain, bugs, and pollen.
- The all-season sunroom walls in a porch enclosure are insulated and all corners of the windows and doors are fusion welded to prevent drafts and leaks.
- Our all-season porch enclosure utilizes double-paned, energy star windows that provide UV filtration that can keep your floors and furniture from fading.
- Our three-season porch enclosure uses windows that are comprised of single-paned, tempered glass. These windows have the advantage of being more easily customizable and come in a variety of sizes.
- The windows in both the all-season and three-season porch enclosures are large, sliding windows that allow for maximum ventilation and less obstructed views.

SCREEN ROOMS

- Our screen rooms allow you to add an outdoor room that offers protection from the sun, rain, wind, and those pesky bugs.
- For an affordable price, you can add extra space for family gatherings, a safe place for pets and children to play, and an outdoor entertainment area your guests will appreciate.
- Easily take an existing porch, deck, or patio and use it for the foundation of your new screen room or we can build the foundation for you.
- Our screen rooms are constructed with aluminum for durability and low maintenance.
- We offer a variety of colors so you can match your screen room to the exterior of your home.



RETRACTABLE AWNINGS

- Retractable awnings extend to provide shade that allows you to use your deck or patio even during the hottest days of the summer. Instantly feel up to 15 degrees cooler under the shade of your awning.
- Choose a motorized retractable awning and go from sun to shade in about 60 seconds. A remote is provided for your convenience.
- Retractable awnings provide sun protection for people and pets by blocking the UV rays of the sun.
- We offer three types of retractable awnings and hundreds of different durable and long-lasting fabric options including Sunbrella® and Tempotest® fabrics.



AVAILABLE ROOF MOUNT



CLOSED RETRACTABLE AWNING

RETRACTABLE AWNINGS



FLEX SHADE

- Our most popular retractable awning provides a unique adjustable pitch control that allows you to raise or lower the angle of your awning with the turn of a hand crank.
- Weatherguard cover is available to protect your fabric from dirt and the elements.
- Optional roof mounting allows for installation in areas with low clearance.
- An optional drop screen provides added solar protection.



PREMIER SHADE

- This retractable awning is the perfect solution for installations with minimal mounting space.
- Compact, state of the art design and a fully enclosed cassette provide a sleek look with optimal fabric protection.
- An optional drop screen provides added solar protection.

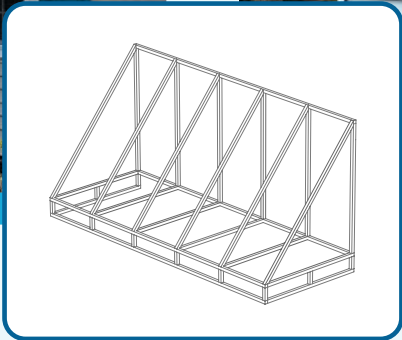
COMFORT SHADE

- Our most affordable retractable awning allows you to enjoy the shade with the simple twist of a hand crank.
- All frame components have a durable powder-coated finish to ensure outstanding weather resistance.
- The straight, contemporary valance provides a clean and modern look.

DOOR & WINDOW AWNINGS

- We custom design and manufacture our patio, deck, window, and door awnings.
- Our durable, long-lasting fabrics will keep your awning looking beautiful for years.
- Computerized renderings allow you to visualize how your awning will look on your home before the manufacturing process is started.
- Our awnings are available in numerous style and color options to ensure you get the look that fits your home perfectly.
- Awnings help reduce the interior temperature of your home and reduce solar heat gain which reduces energy costs.

TRADITIONAL



VALANCE STYLES



INVERTED



DENTAL



SERRATED



STRAIGHT WITH HEM



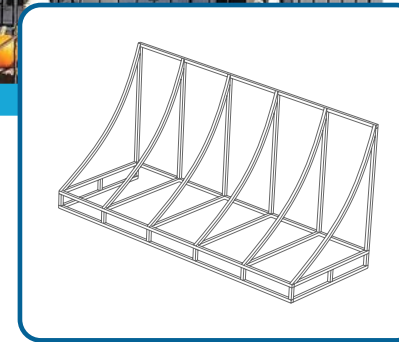
STRAIGHT WITH BRAID



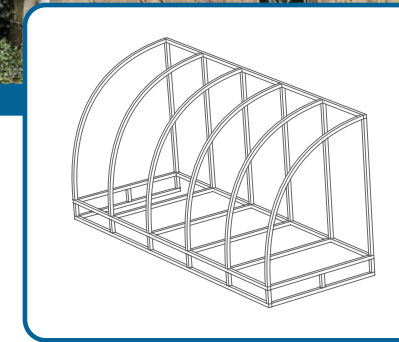
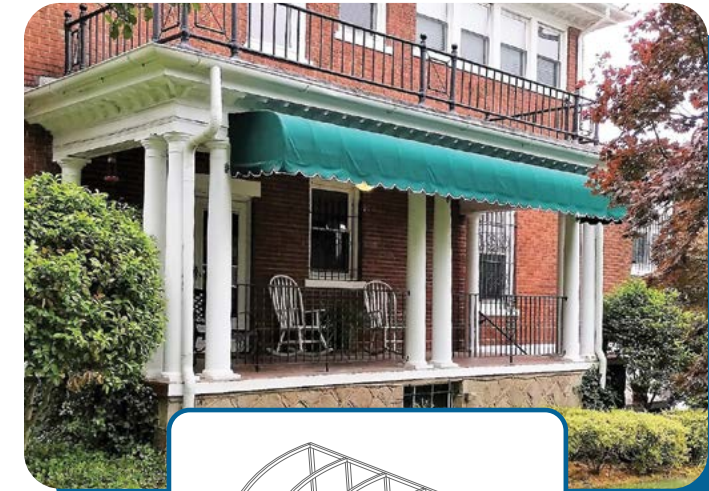
SCALLOPED

DOOR & WINDOW AWNINGS

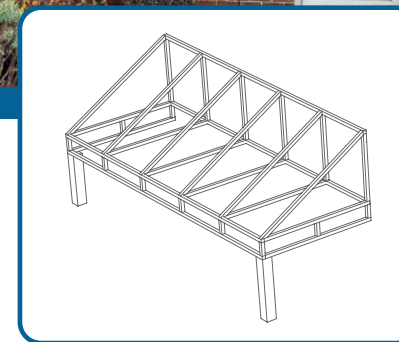
CONCAVE



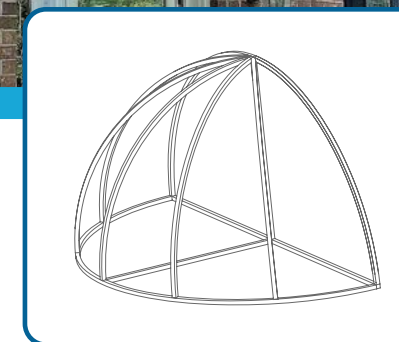
CONVEX



PATIO CANOPY



DOMED





PATIO COVERS

- Patio covers are a functional and affordable way to add shade to your deck or patio
- Our patio covers are constructed of durable, low maintenance aluminum which makes them easy to clean and cost-effective to maintain.
- Choose from standard or insulated patio covers. If you are considering converting your patio cover to a screen room or sunroom in the future, an insulated patio cover makes for a less expensive and easier conversion.
- Several style options such as gable peaks and shingled roofs allow us to match the style of your home.
- Choose from a variety of colors to match your exterior.

RETRACTABLE SCREENS

- Retractable screens are a versatile option for creating a shaded outdoor living area.
- Our retractable screens are perfect for covering windows or for taking large porch and patio openings and creating insect proof screen enclosures.
- They block up to 99% of solar heat transmission and can help lower your cooling costs by up to 60% depending on your sun exposure.
- You can still enjoy your privacy because these screens allow you to look out but obscure the view of people looking in.
- Built-in retention channel seals the sides of the retractable screen to your home to effectively block out insects.
- Motorized operation allows you to easily raise and lower the screens with just the touch of a button.
- Our retractable screens are available in a variety of sizes, frame colors, and mesh fabric styles



WINDOWS

- Our high-efficiency replacement windows are multi-paned and Energy Star™ rated.
- Constructed from durable vinyl, our window frames are insulated for maximum energy efficiency.
- Easy to clean, our windows feature tilt-in sashes so you can clean from the inside with no need for ladders.
- The screen frames are constructed of heavy-duty extruded aluminum and finer mesh screen options are available for less obstructed viewing.
- Choose from a variety of window styles including double-hung, slider, bow, bay, and garden windows all custom-sized to allow for easier installation.
- A wide variety of colors are available including inside and outside color combinations.
- Our specially trained installers are lead paint certified so you can rest assured your project will be completed safely.

DOORS

- Our hinged and sliding patio replacement doors eliminate drafts and leaks and increase the energy efficiency of your home.
- Our sliding patio doors offer durable, vinyl frames and heavy-duty rollers that allow you to open and close your door with ease.
- Our hinged patio doors are constructed of fiberglass and feature no-rot frames.
- Both of our replacement door options feature high-performance, multi-paned glass.
- A variety of color options are available so you can choose the color that best fits the look of your home.
- Our specially trained installers are lead paint certified so you can rest assured your project will be completed safely.



COMMERCIAL FABRIC AWNINGS

- Ideal for storefronts, restaurants, and shopping centers, commercial fabric awnings are the perfect way to combine signage, weather protection, and curb appeal in one beautiful package.
- Fabric awnings are versatile, easy to customize and brand, and they provide a unique design element to help your building or storefront stand out.
- Multiple fabric colors and frame design options allow you to customize the awnings to fit the style of your building.
- Installation of fabric awnings won't require structural modifications to your building due to the light-weight materials used.
- It's easy and affordable to change the color and logo of fabric awnings. Our SGS graphics machine provides high-quality, full-color graphics that are integrated into the awning fabric and won't peel.

We offer several different types of commercial fabric awnings to suit your specific needs:



RETAIL AWNINGS

Your building or storefront will make a noticeable first impression with these affordable, colorful awnings that enhance curb appeal and attract attention.



COMMERCIAL PATIO AWNINGS

Ideal for restaurants or businesses that want to add weather protected, additional seating space at an economical price.



COMMERCIAL RETRACTABLE AWNINGS

Choose this style of commercial awning that can be extended to provide shade when wanted and retracted to save space when not in use.



FABRIC WALKWAY CANOPIES

Protect your high traffic walkways with a fabric canopy that is ideally suited for sidewalk applications.

COMMERCIAL METAL AWNINGS

- Our metal awnings and canopies are durable, functional, and offer long-lasting weather protection.
- Custom manufactured using aluminum, our commercial metal awnings will never rust.
- No on-site painting is ever needed as our metal awnings are finished with durable, baked enamel or our high-performance powder coating for exceptional weather resistance.
- Metal commercial awnings allow for larger coverage areas compared to fabric awnings and they can be host attached or free-standing.
- Multiple colors, post sizes, and beam sizes are available to allow you to customize your awnings to fit your specific needs.

We offer several different types of metal awnings so you can choose the type that will work best for your project.



HANGER ROD CANOPIES

Hanger rod canopies are ideal for high-performance architectural applications and we offer three types, all custom manufactured for your particular project.



STANDING SEAM METAL AWNINGS

These distinctive looking all aluminum awnings provide an attractive look for retail centers, storefronts, and apartment complexes.



INDUSTRIAL METAL CANOPIES

These commercial canopies are functional, durable, and ideal for industrial applications.



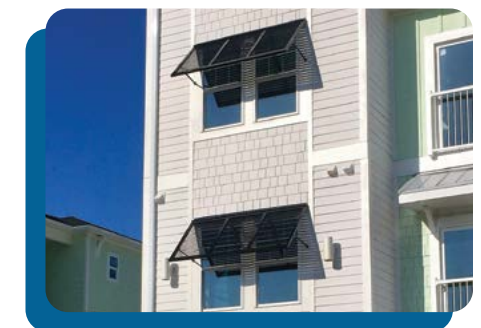
CANTILEVERED CANOPIES

These modern-looking canopies utilize an internal support system to provide shade while offering a sleek design aesthetic.



METAL WALKWAY CANOPIES

Our metal walkway canopies are an excellent way to provide weather protection for high traffic walking areas.



BAHAMA SHUTTERS

This "Coastal" designed awning option offers a unique architectural element to add curb appeal to any building.



Air Vent Exteriors is a locally owned and operated company that has been serving the people of WNC for over 35 years. In 2011, Air Vent Exteriors brought Greenville Awning Company into the family in order to serve the people of Upstate SC as well. We offer custom designed sunrooms, screen rooms, residential and commercial awnings, patio covers, retractable screens, replacement windows, and patio doors. We back our quality products with craftsmanship, customer service, and a commitment to excellence.

Let us help you expand your outdoor living spaces.



Air Vent
EXTERIORS
SUNROOMS • AWNINGS • WINDOWS

828.687.0439
AirVentExteriors.com



864.288.0063
GreenvilleAwning.com

CORPORATE ADDRESS

1852 Brevard Rd
Arden, NC 28704

FIND US AT

