

Air-Vent Exteriors

GHRC-300



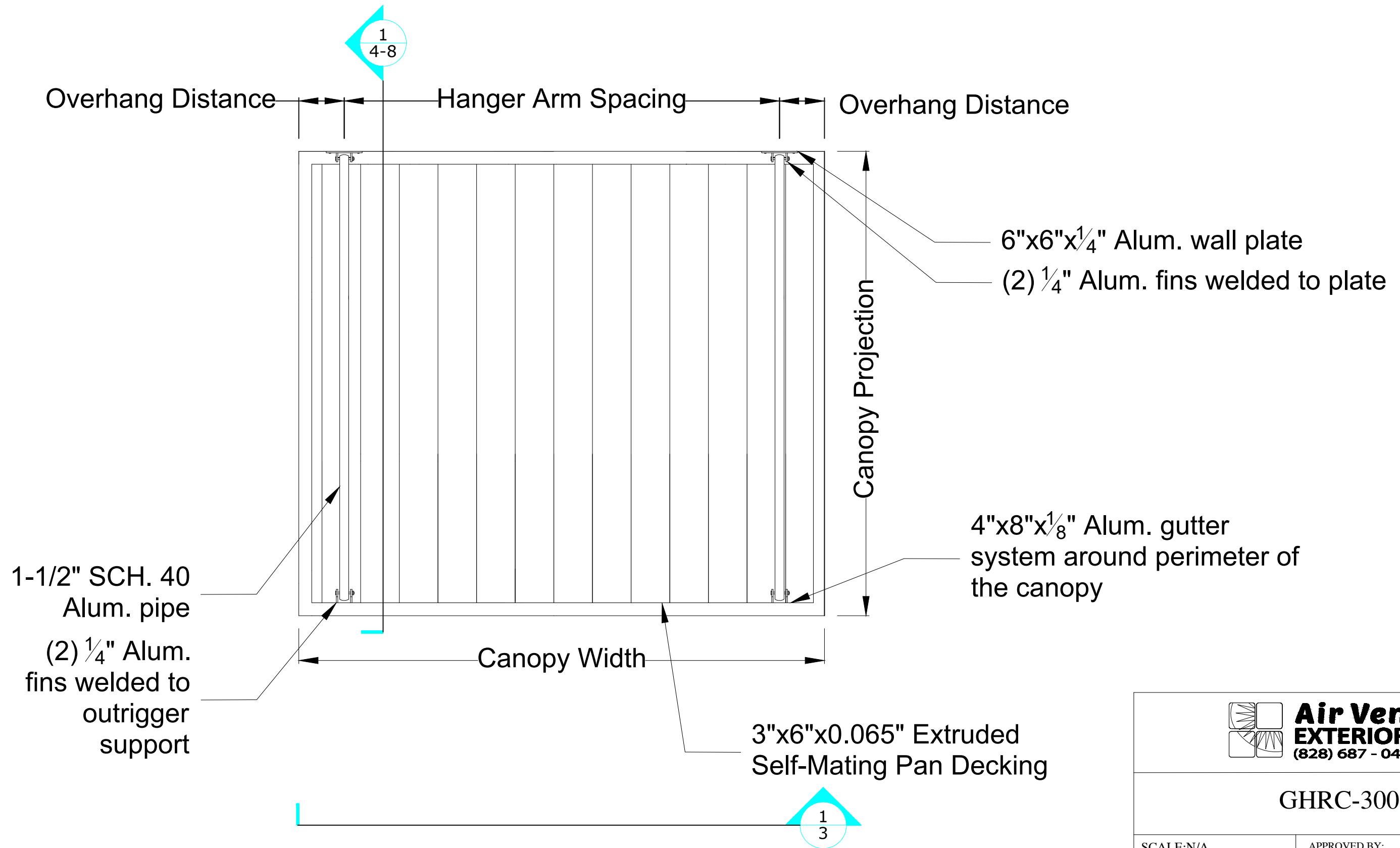
$\frac{1}{1}$
 Canopy Isometric View



GHRC-300

SCALE:N/A	APPROVED BY:	DRAWN BY: ES
DATE: 4/23/19		REVISION:
FOR:		Drawing Number: 1 of 13

THESE DRAWINGS WERE PREPARED BY AND ARE THE SOLE PROPERTY OF AIR-VENT EXTERIORS. UNAUTHORIZED USE OR REPRODUCTIONS IS STRICTLY PROHIBITED. AIR-VENT EXTERIORS ©



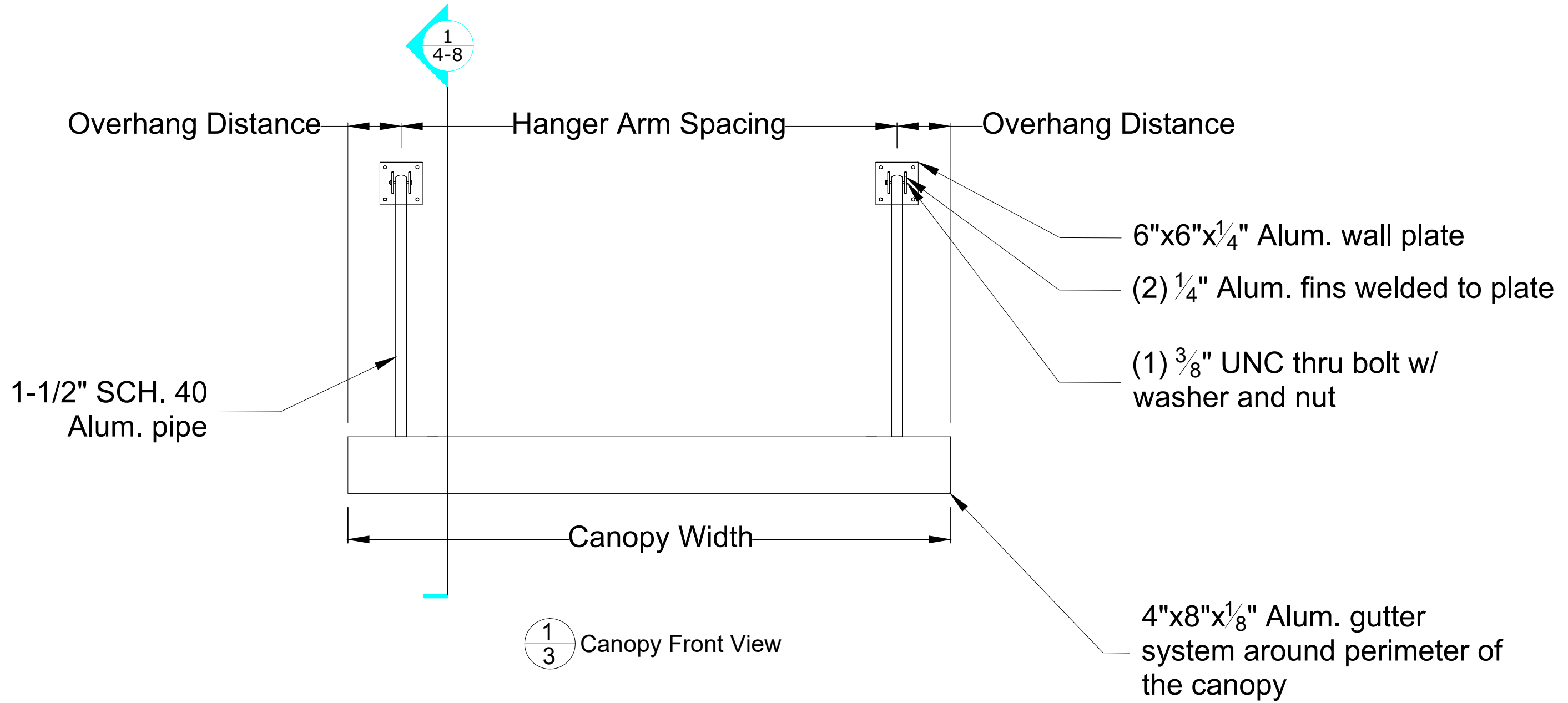
1
2 Canopy Plan View



GHRC-300

SCALE: N/A	APPROVED BY:	DRAWN BY: ES
DATE: 4/23/19		REVISION:
FOR:		Drawing Number: 2 of 13

THESE DRAWINGS WERE PREPARED BY AND ARE THE SOLE PROPERTY OF AIR-VENT EXTERIORS. UNAUTHORIZED USE OR REPRODUCTIONS IS STRICTLY PROHIBITED. AIR-VENT EXTERIORS ©



3"x6"x0.065" Extruded Self-Mating Pan Decking

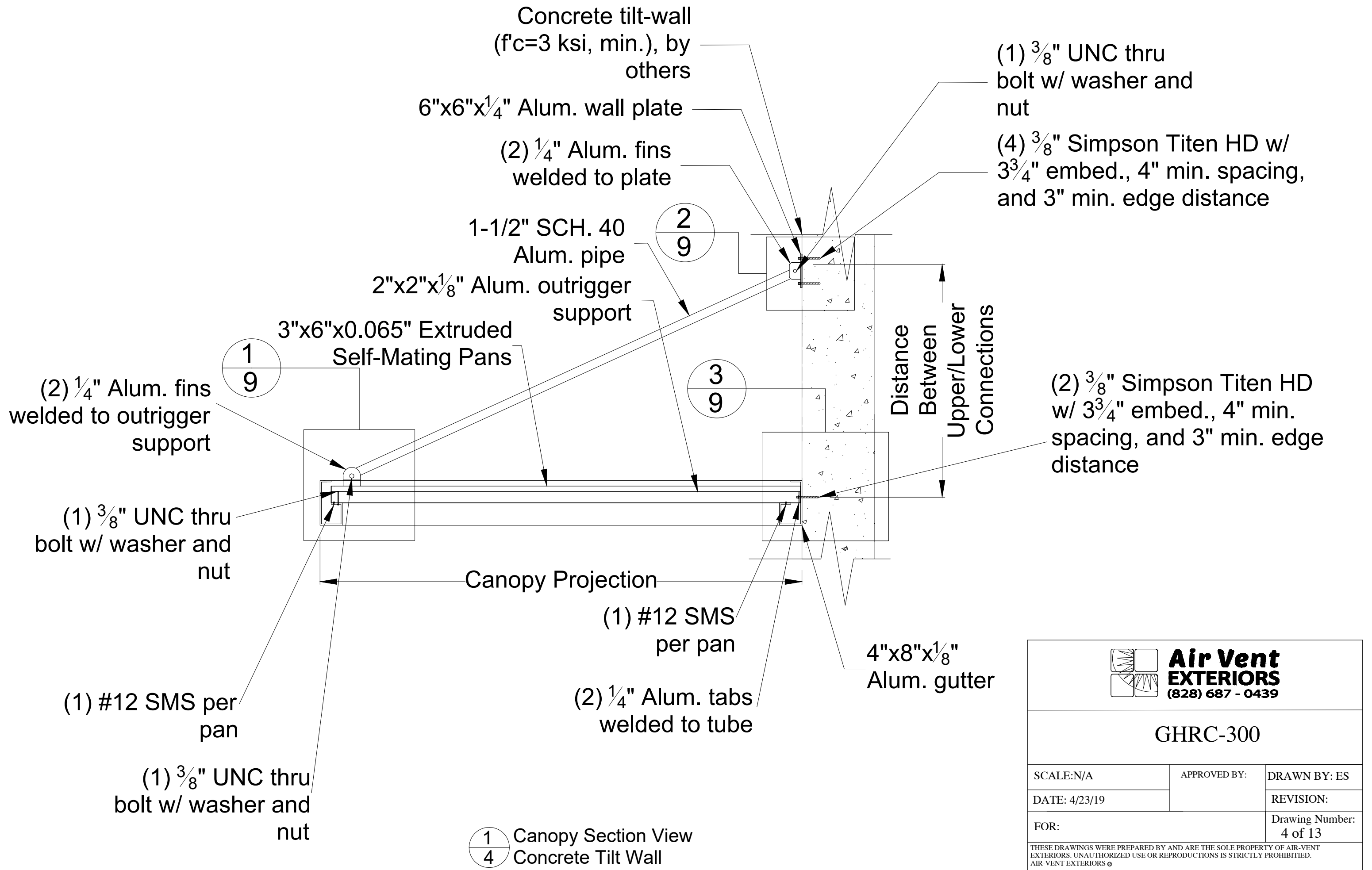
2
3 Decking Detail



GHRC-300

SCALE:N/A	APPROVED BY:	DRAWN BY: ES
DATE: 4/23/19		REVISION:
FOR:		Drawing Number: 3 of 13

THESE DRAWINGS WERE PREPARED BY AND ARE THE SOLE PROPERTY OF AIR-VENT EXTERIORS. UNAUTHORIZED USE OR REPRODUCTIONS IS STRICTLY PROHIBITED. AIR-VENT EXTERIORS ©



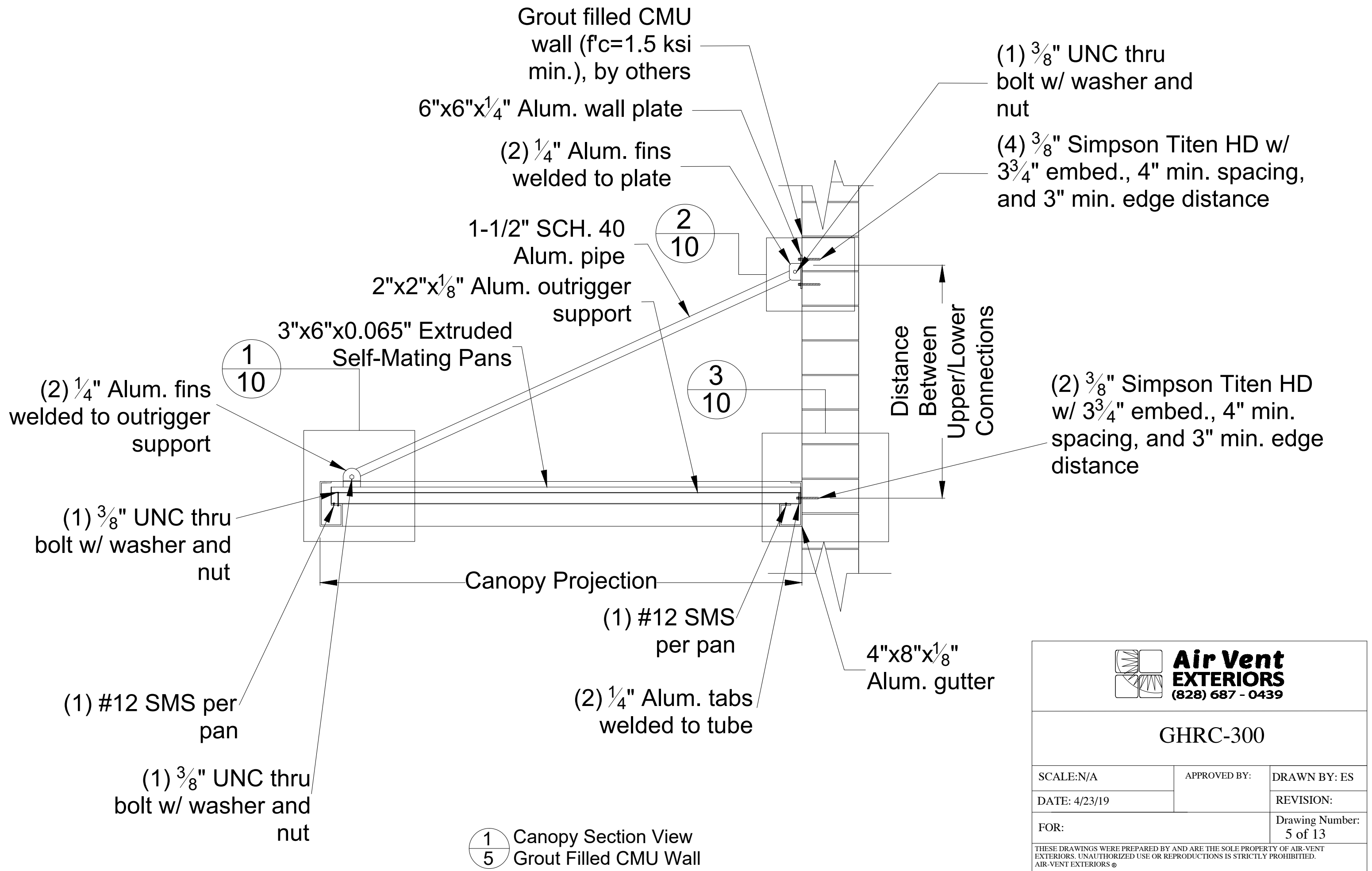
1 Canopy Section View
4 Concrete Tilt Wall



GHRC-300

SCALE:N/A	APPROVED BY:	DRAWN BY: ES
DATE: 4/23/19		REVISION:
FOR:	Drawing Number: 4 of 13	

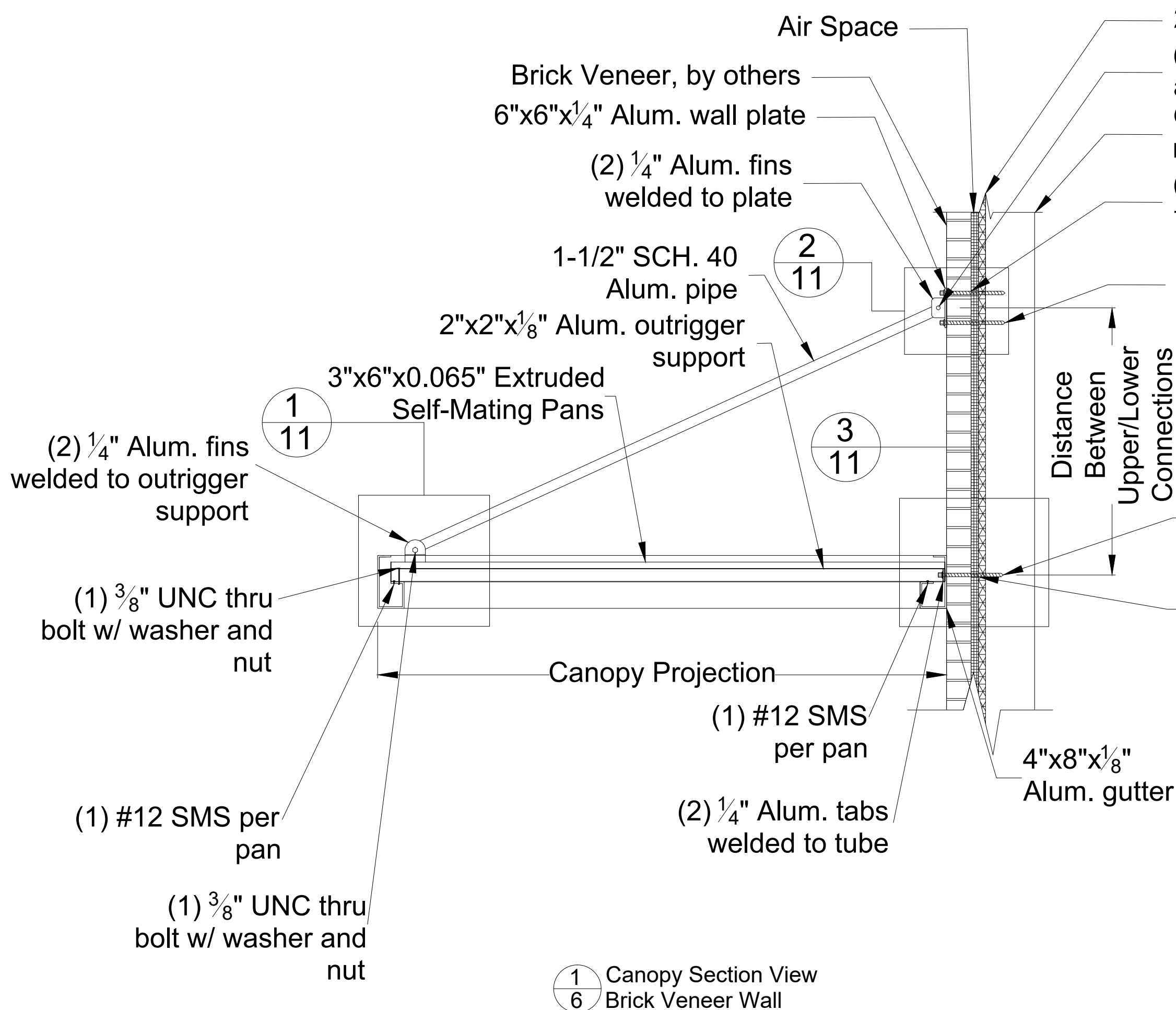
THESE DRAWINGS WERE PREPARED BY AND ARE THE SOLE PROPERTY OF AIR-VENT EXTERIORS. UNAUTHORIZED USE OR REPRODUCTIONS IS STRICTLY PROHIBITED. AIR-VENT EXTERIORS ©



GHRC-300

SCALE:N/A	APPROVED BY:	DRAWN BY: ES
DATE: 4/23/19		REVISION:
FOR:		Drawing Number: 5 of 13

THESE DRAWINGS WERE PREPARED BY AND ARE THE SOLE PROPERTY OF AIR-VENT EXTERIORS. UNAUTHORIZED USE OR REPRODUCTIONS IS STRICTLY PROHIBITED. AIR-VENT EXTERIORS®



2" Foam Insulation, by others
 (1) $\frac{3}{8}$ " UNC thru bolt w/ washer and nut
 Grout Filled CMU Wall ($f'c=1.5$ ksi min.), by others
 (1) $\frac{1}{2}$ " SCH. 40 Alum. pipe ferrule tube w/ washer at end per anchor
 (4) $\frac{3}{8}$ " Simpson Titen HD w/ $3\frac{3}{4}$ " embed., 4" min. spacing, and 3" min. edge distance

(2) $\frac{3}{8}$ " Simpson Titen HD w/ $3\frac{3}{4}$ " embed., 4" min. spacing, and 3" min. edge distance
 (1) $\frac{1}{2}$ " SCH. 40 Alum. pipe ferrule tube w/ washer at end per anchor

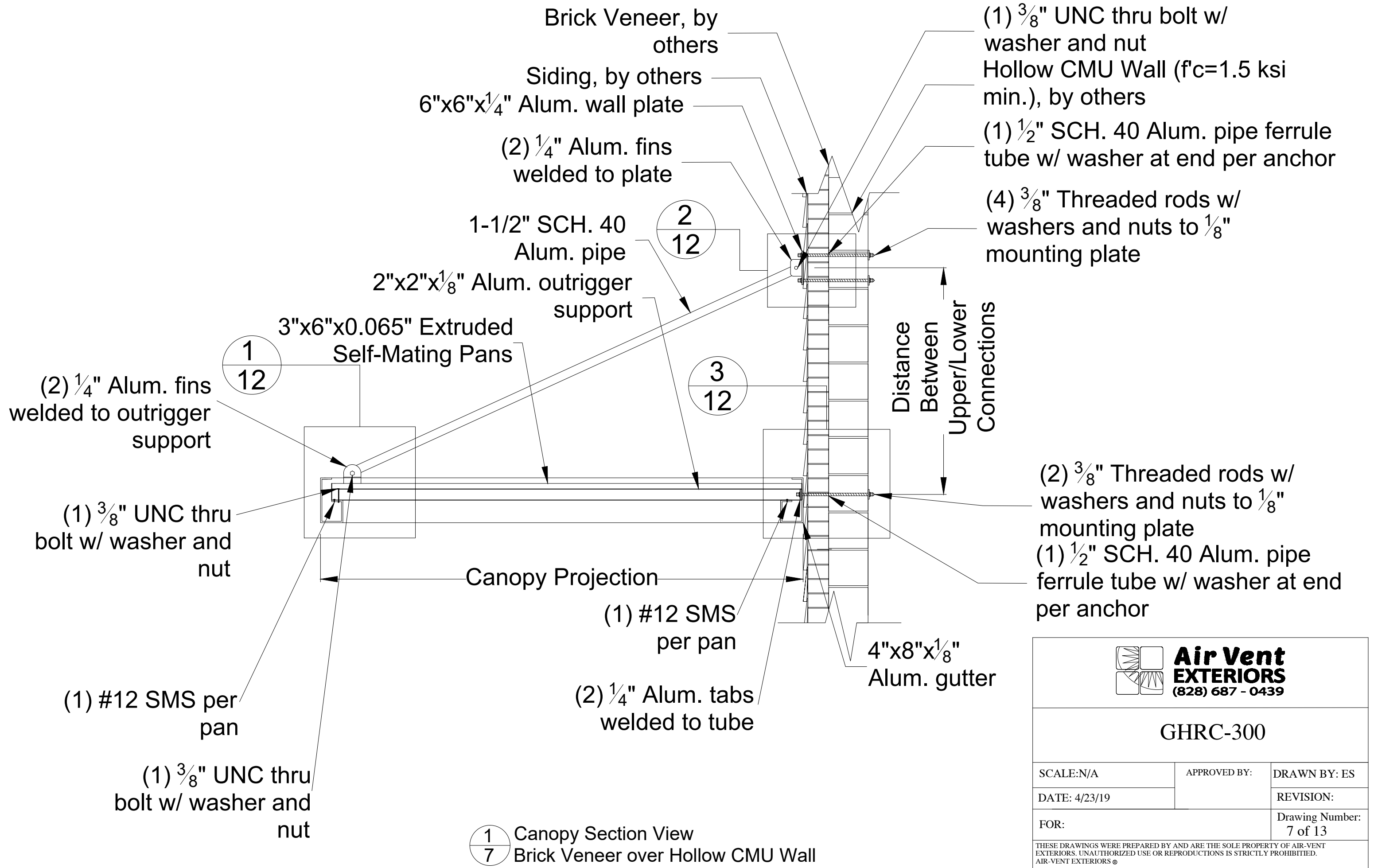


GHRC-300


SCALE:N/A	APPROVED BY:	DRAWN BY: ES
DATE: 4/23/19		REVISION:
FOR:		Drawing Number: 6 of 13

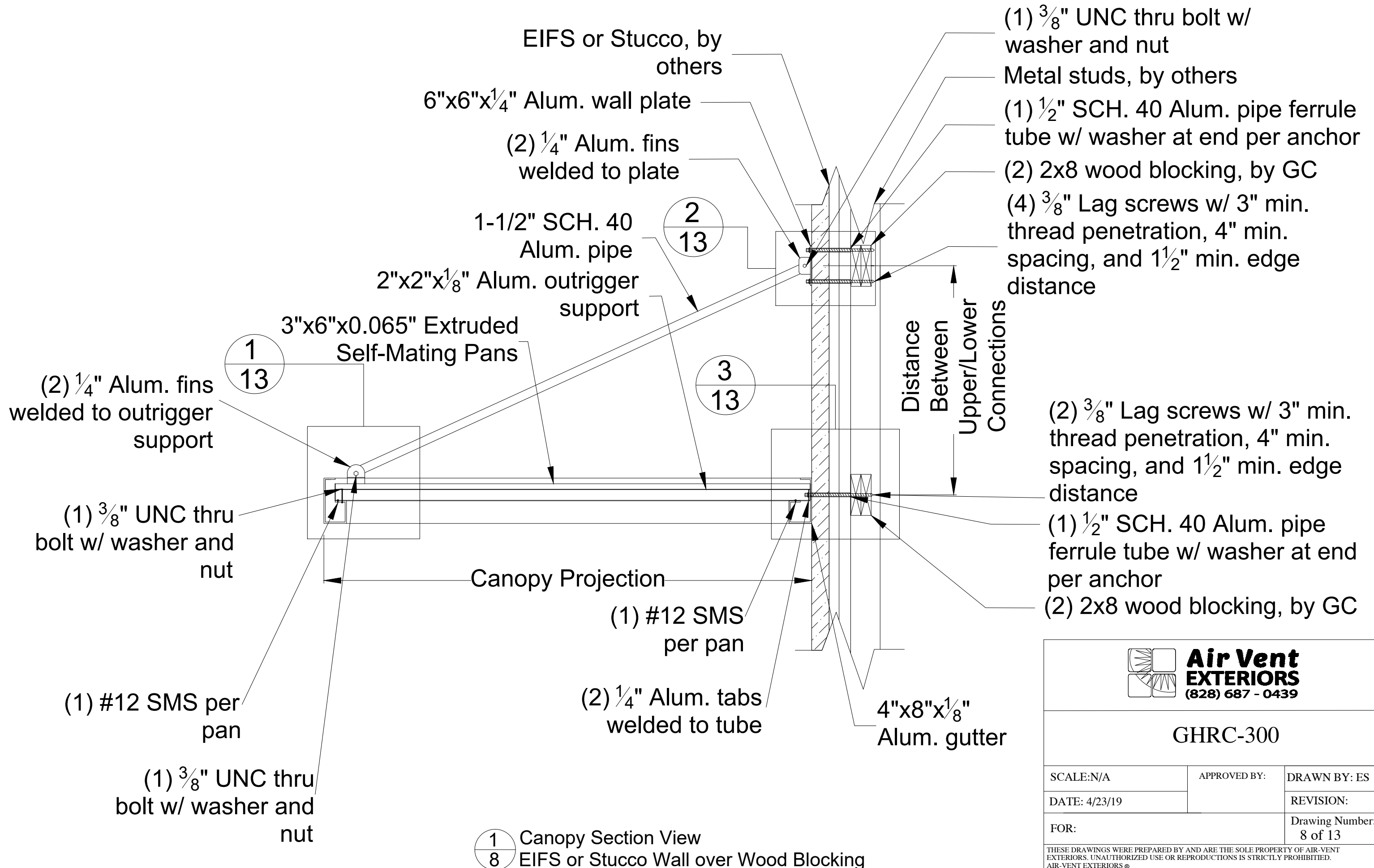
THESE DRAWINGS WERE PREPARED BY AND ARE THE SOLE PROPERTY OF AIR-VENT EXTERIORS. UNAUTHORIZED USE OR REPRODUCTIONS IS STRICTLY PROHIBITED. AIR-VENT EXTERIORS ©

1 Canopy Section View
 6 Brick Veneer Wall



1 Canopy Section View
7 Brick Veneer over Hollow CMU Wall

 <p>Air Vent EXTERIORS (828) 687 - 0439</p>		
GHRC-300		
SCALE: N/A	APPROVED BY:	DRAWN BY: ES
DATE: 4/23/19		REVISION:
FOR:		Drawing Number: 7 of 13
<small>THESE DRAWINGS WERE PREPARED BY AND ARE THE SOLE PROPERTY OF AIR-VENT EXTERIORS. UNAUTHORIZED USE OR REPRODUCTIONS IS STRICTLY PROHIBITED. AIR-VENT EXTERIORS ©</small>		

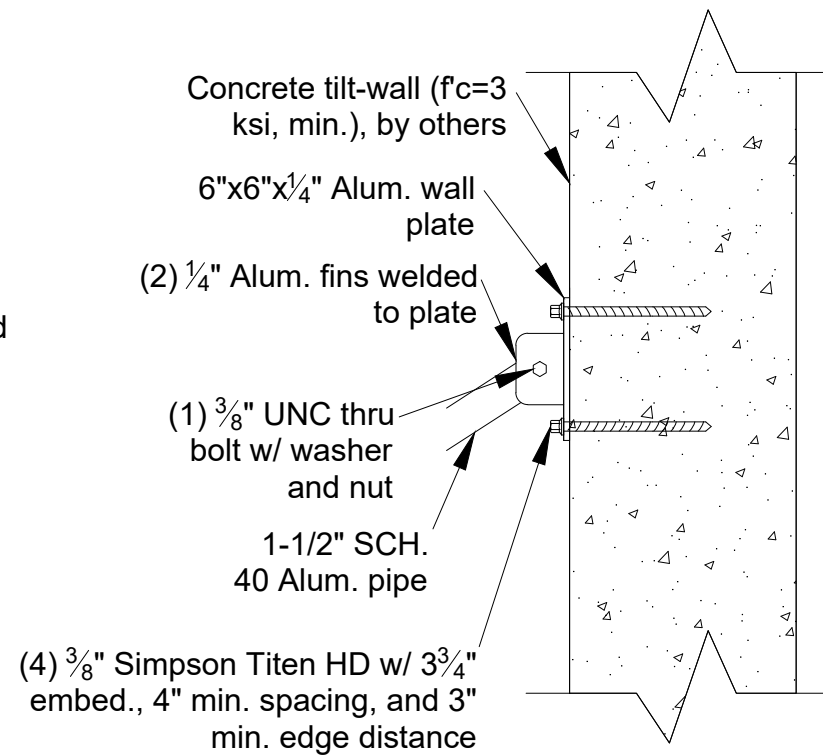
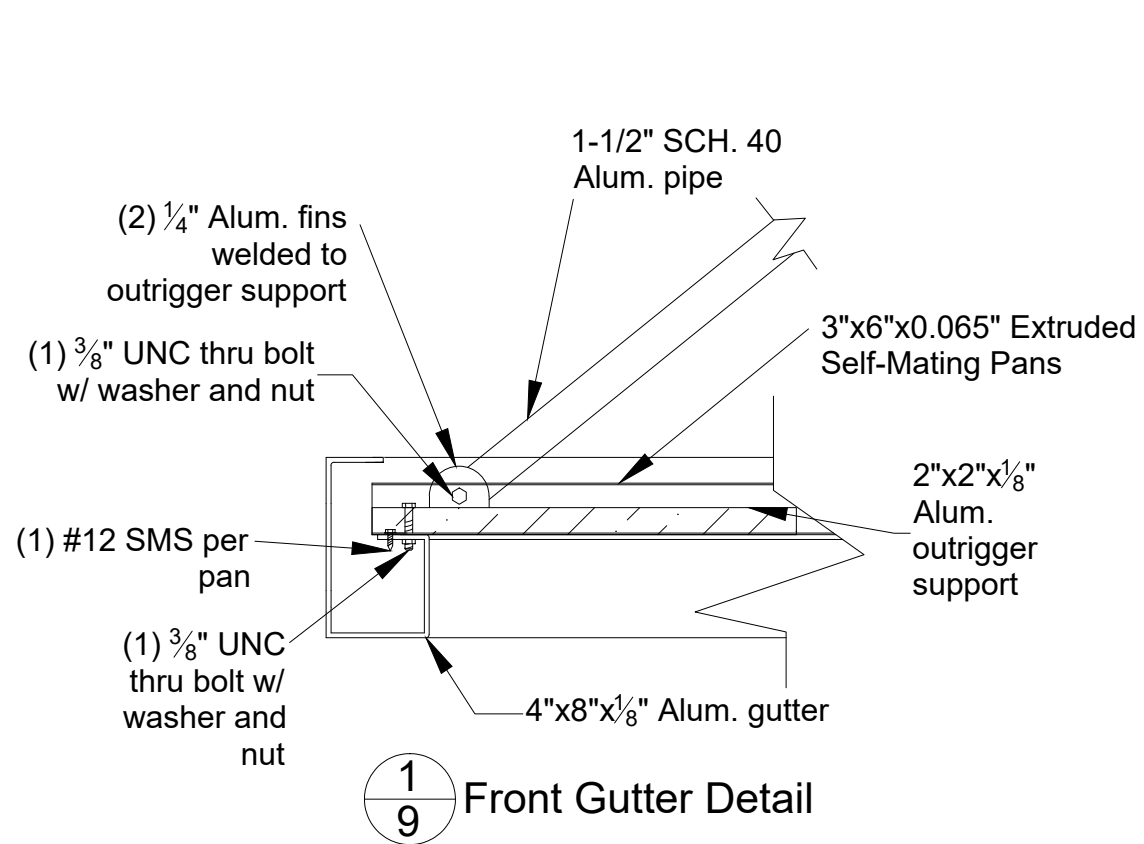


GHRC-300

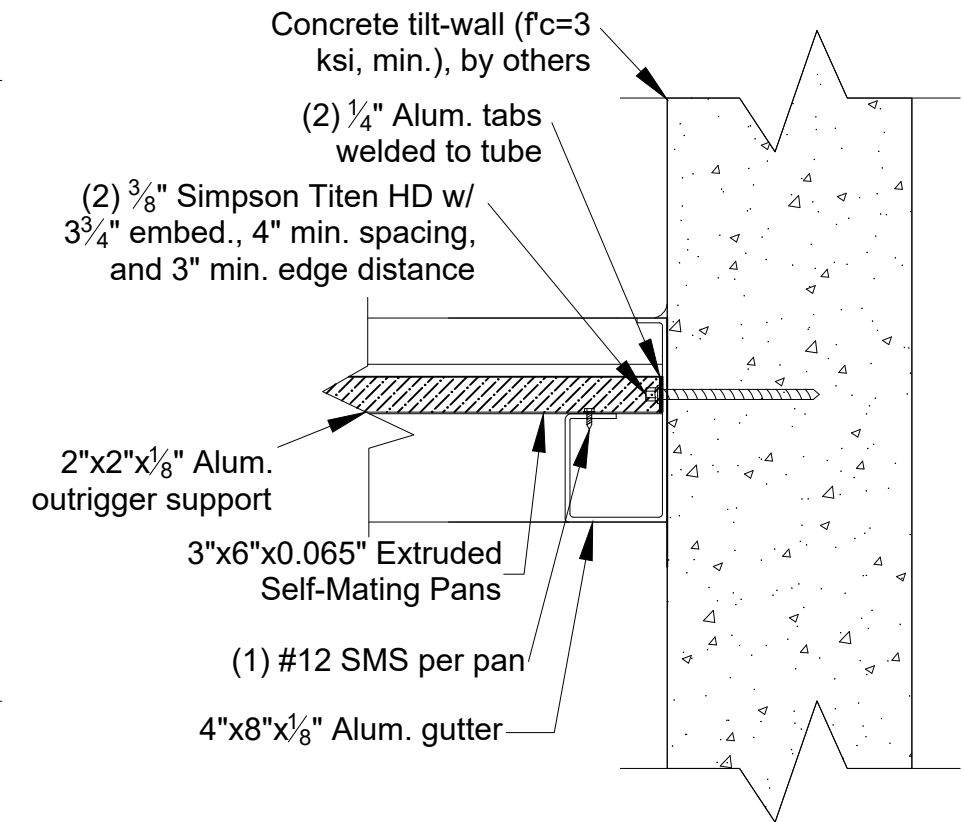
SCALE: N/A	APPROVED BY:	DRAWN BY: ES
DATE: 4/23/19		REVISION:
FOR:		Drawing Number: 8 of 13

THESE DRAWINGS WERE PREPARED BY AND ARE THE SOLE PROPERTY OF AIR-VENT EXTERIORS. UNAUTHORIZED USE OR REPRODUCTIONS IS STRICTLY PROHIBITED. AIR-VENT EXTERIORS ©

- 1 Canopy Section View
- 8 EIFS or Stucco Wall over Wood Blocking



2/9 Wall Bracket Detail



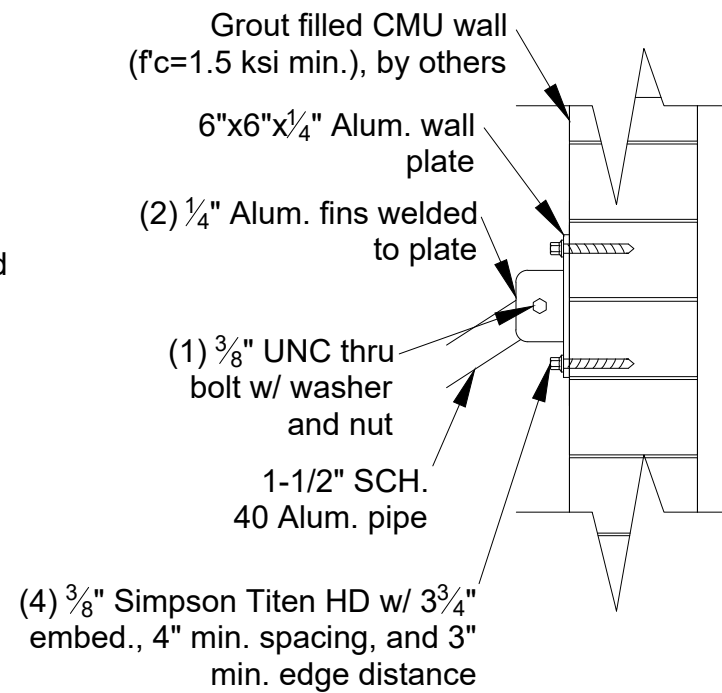
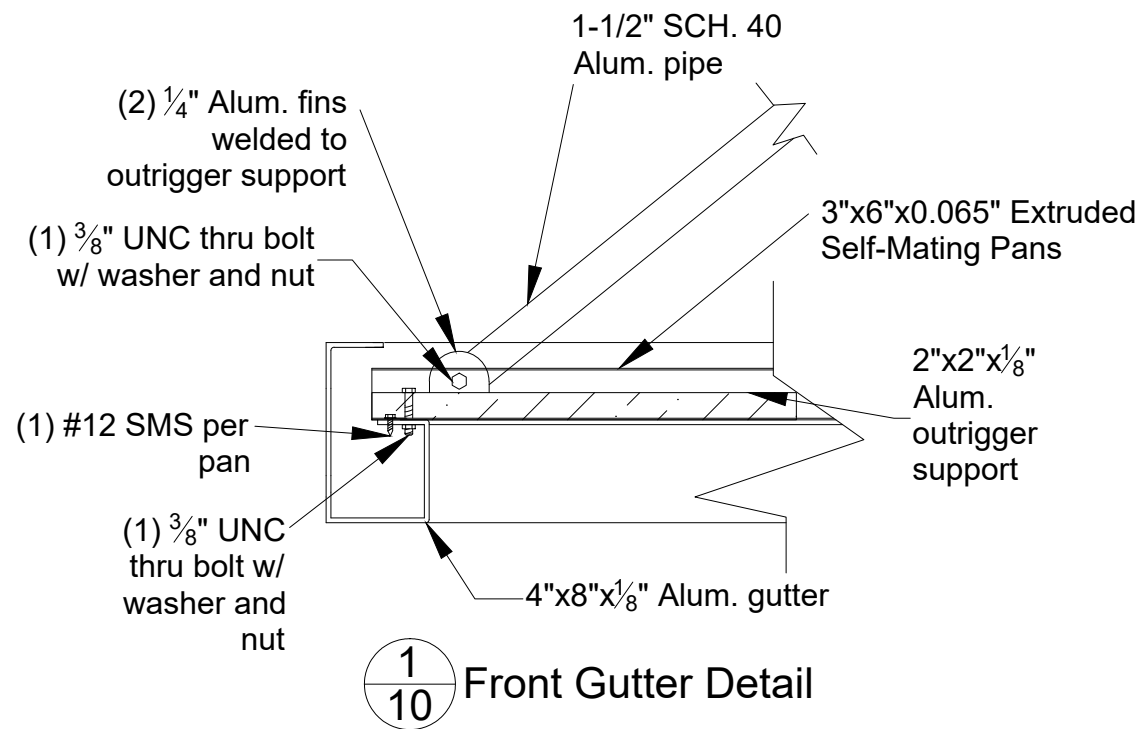
3/9 Rear Gutter Detail



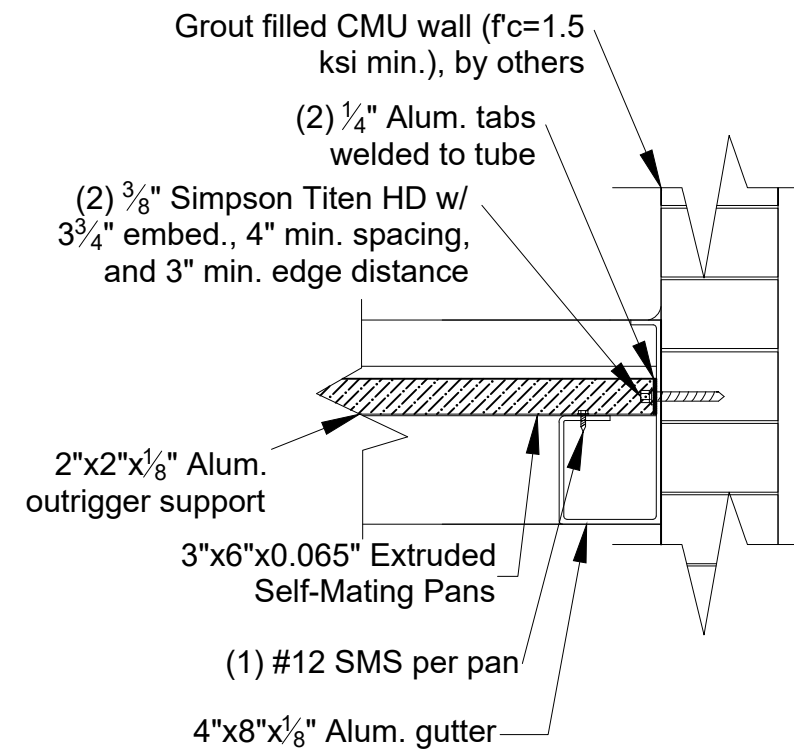
GHRC-300

SCALE:N/A	APPROVED BY:	DRAWN BY: ES
DATE: 4/23/19		REVISION:
FOR:		Drawing Number: 9 of 13

THESE DRAWINGS WERE PREPARED BY AND ARE THE SOLE PROPERTY OF AIR-VENT EXTERIORS. UNAUTHORIZED USE OR REPRODUCTIONS IS STRICTLY PROHIBITED. AIR-VENT EXTERIORS ©



2/10 Wall Bracket Detail



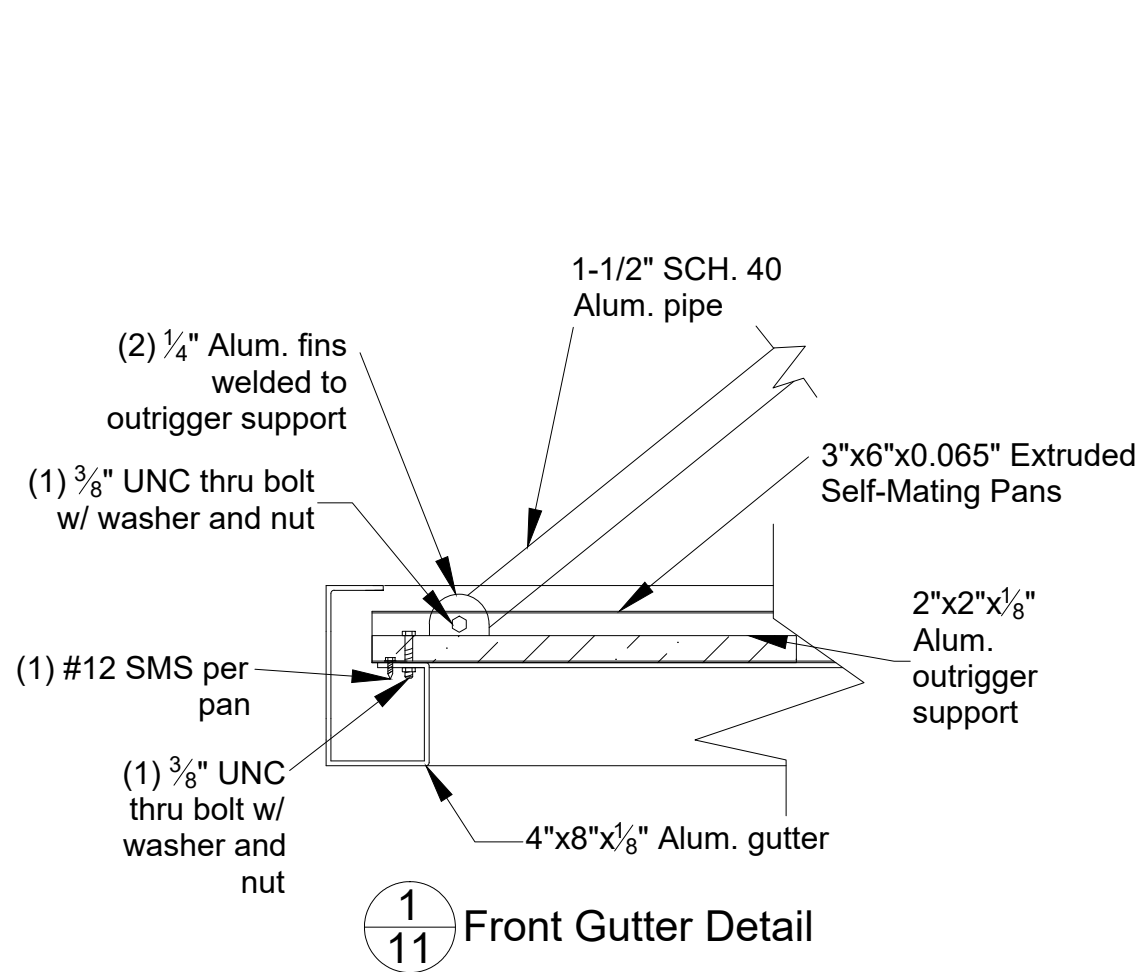
3/10 Rear Gutter Detail



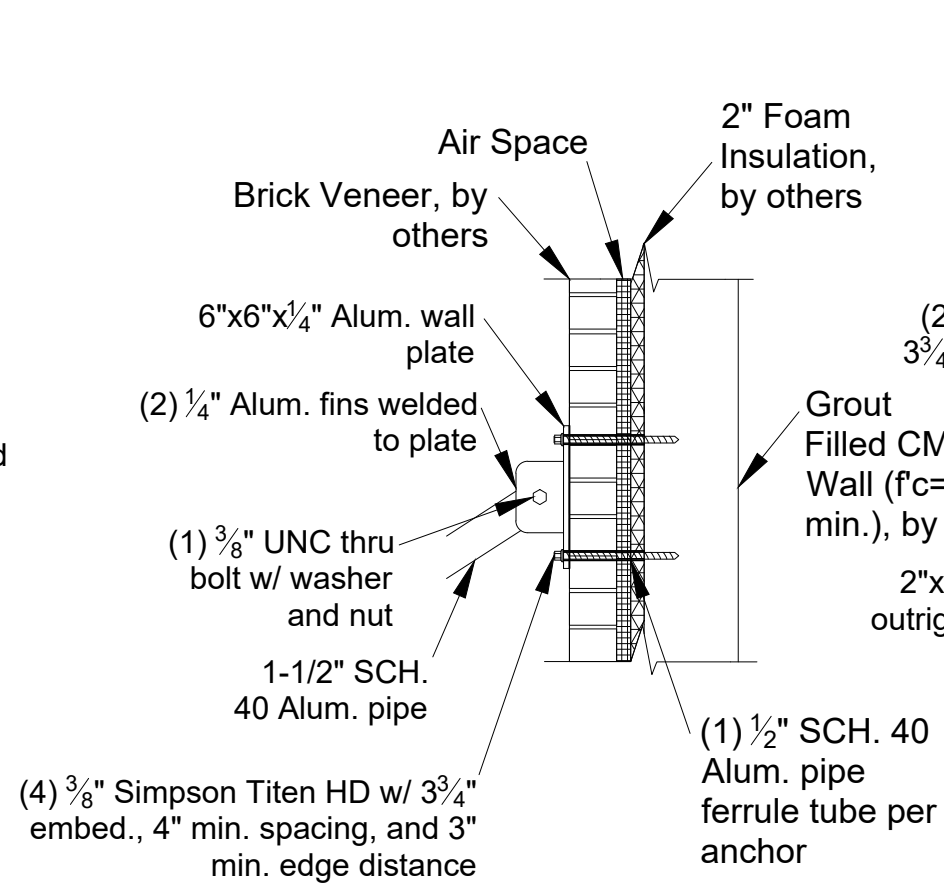
GHRC-300

SCALE:N/A	APPROVED BY:	DRAWN BY: ES
DATE: 4/23/19		REVISION:
FOR:		Drawing Number: 10 of 13

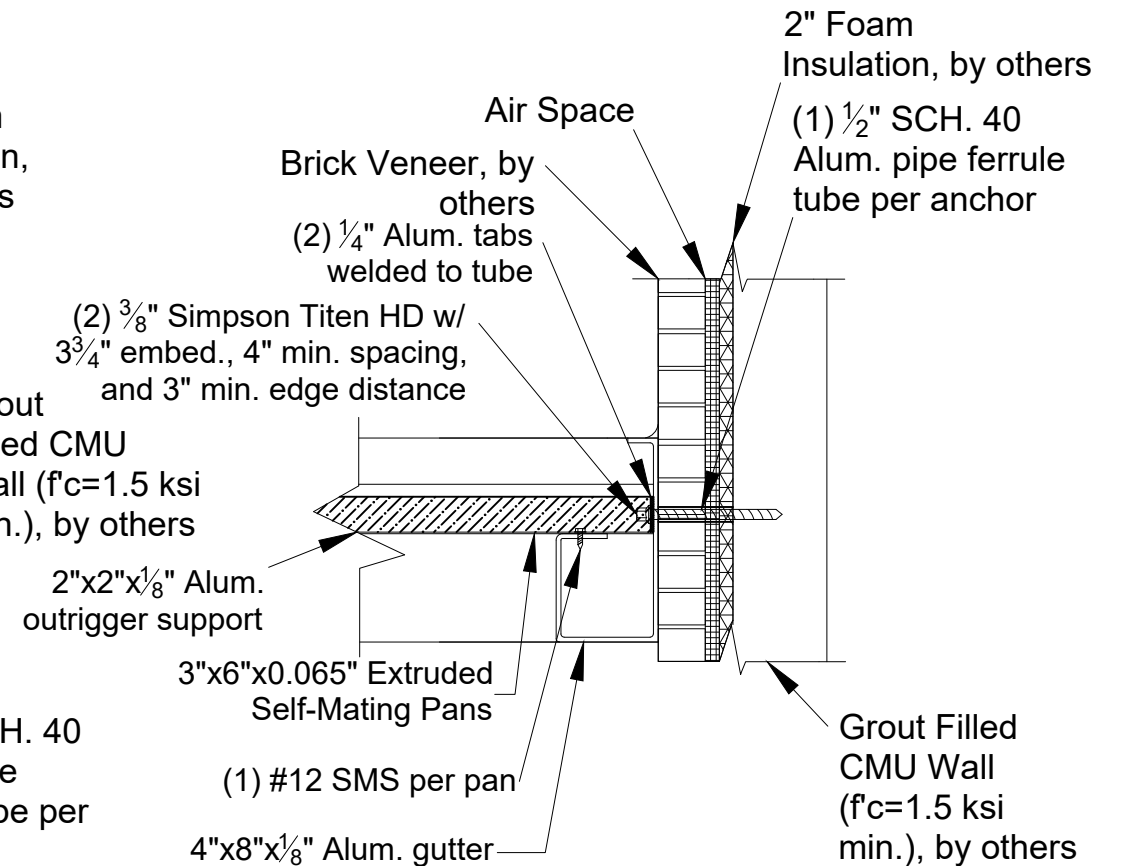
THESE DRAWINGS WERE PREPARED BY AND ARE THE SOLE PROPERTY OF AIR-VENT EXTERIORS. UNAUTHORIZED USE OR REPRODUCTIONS IS STRICTLY PROHIBITED.
 AIR-VENT EXTERIORS ©



1/11 Front Gutter Detail



2/11 Wall Bracket Detail



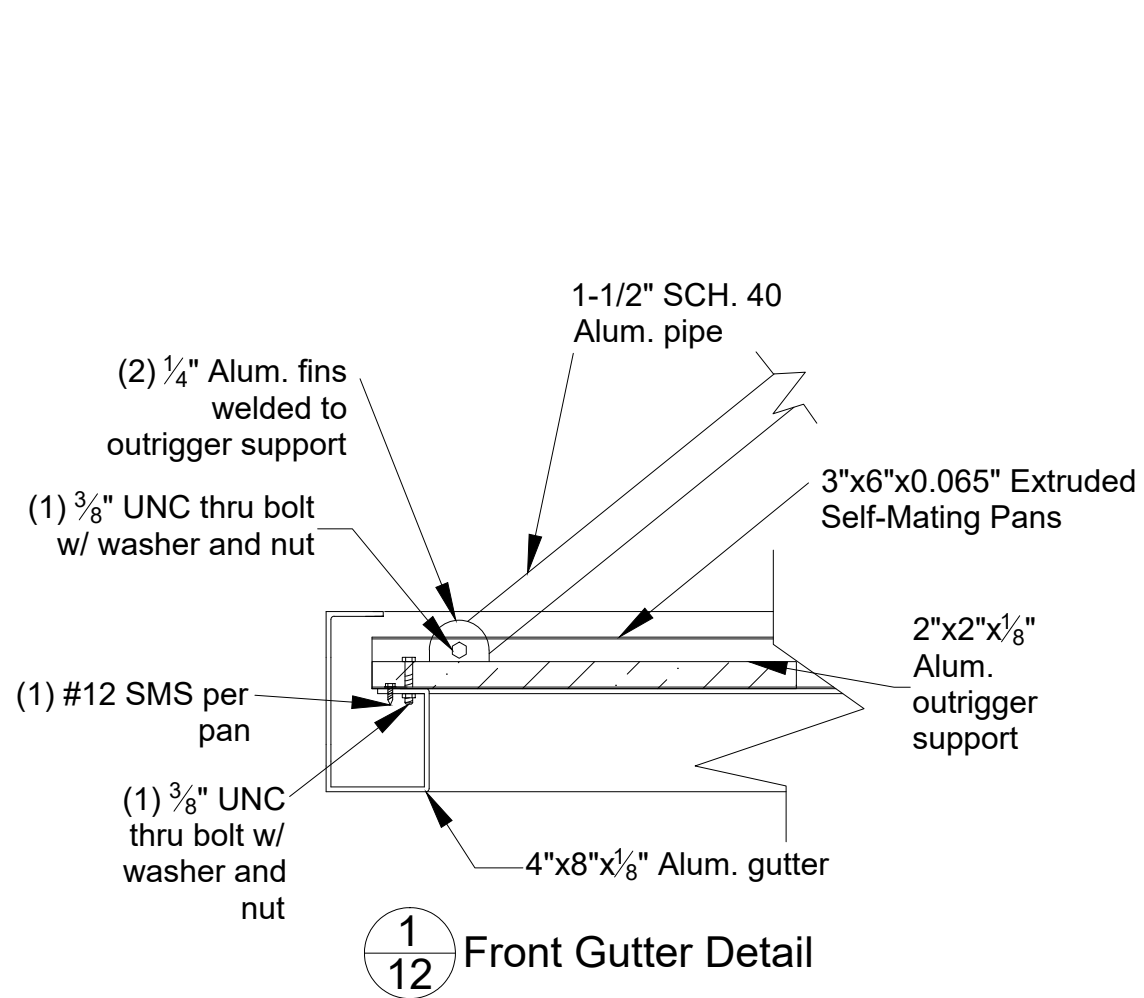
3/11 Rear Gutter Detail



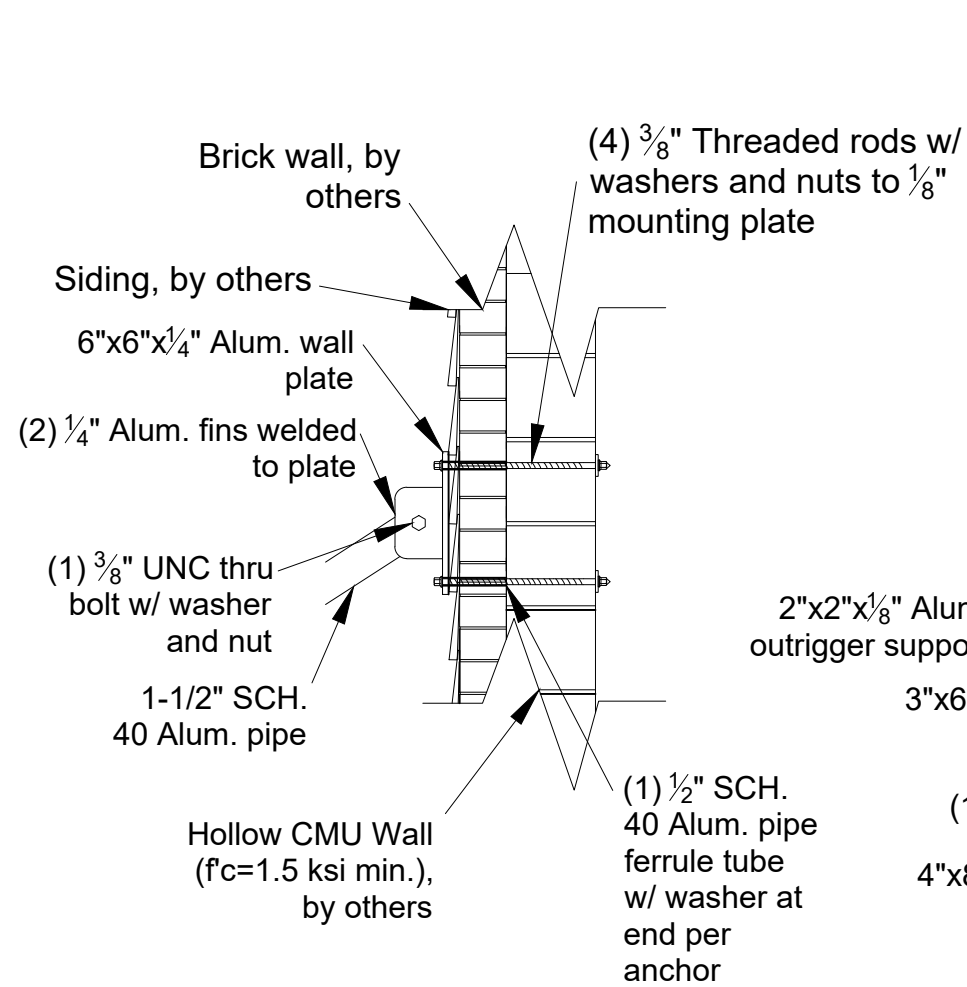
GHRC-300

SCALE:N/A	APPROVED BY:	DRAWN BY: ES
DATE: 4/23/19		REVISION:
FOR:	Drawing Number: 11 of 13	

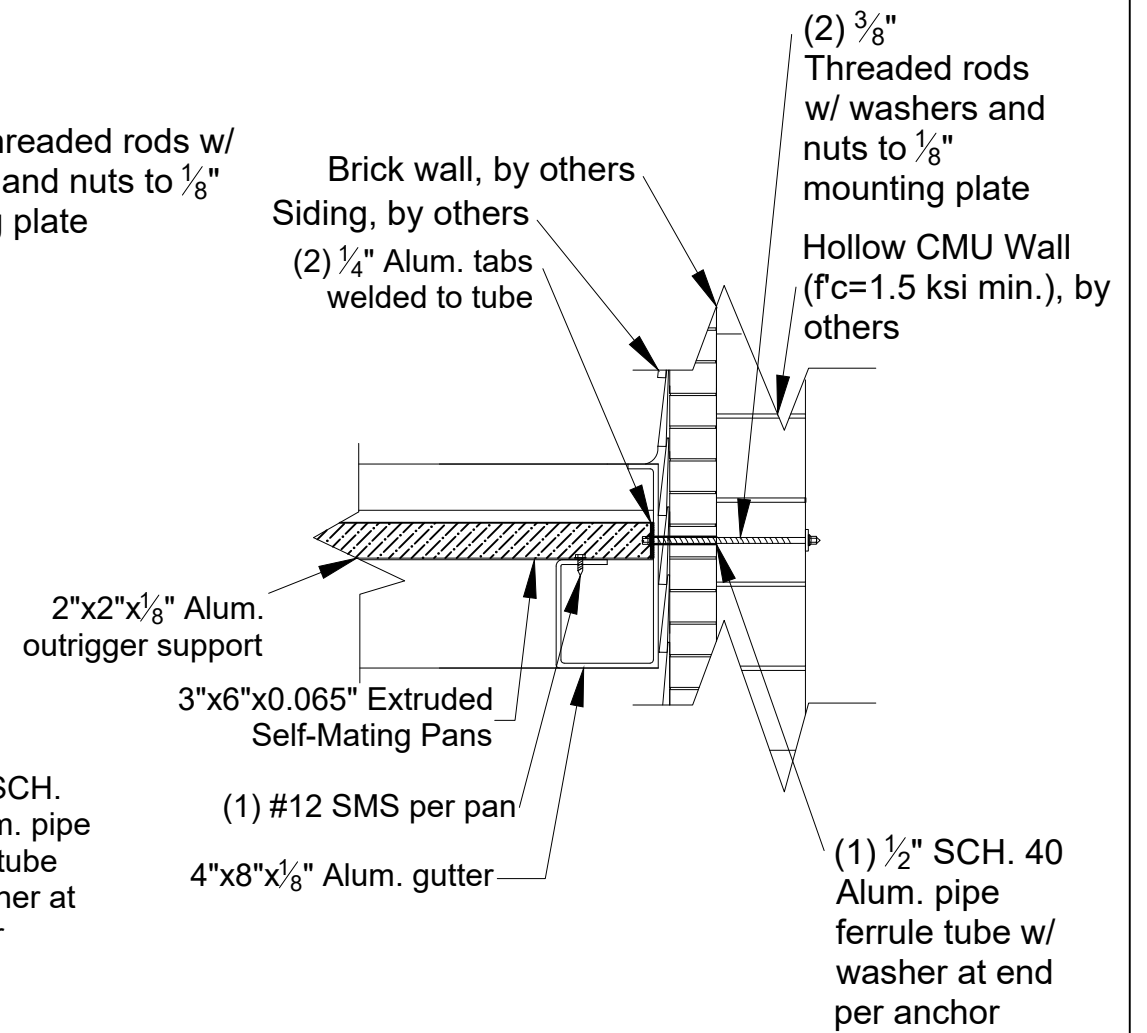
THESE DRAWINGS WERE PREPARED BY AND ARE THE SOLE PROPERTY OF AIR-VENT EXTERIORS. UNAUTHORIZED USE OR REPRODUCTIONS IS STRICTLY PROHIBITED. AIR-VENT EXTERIORS ©



1/12 Front Gutter Detail



2/12 Wall Bracket Detail



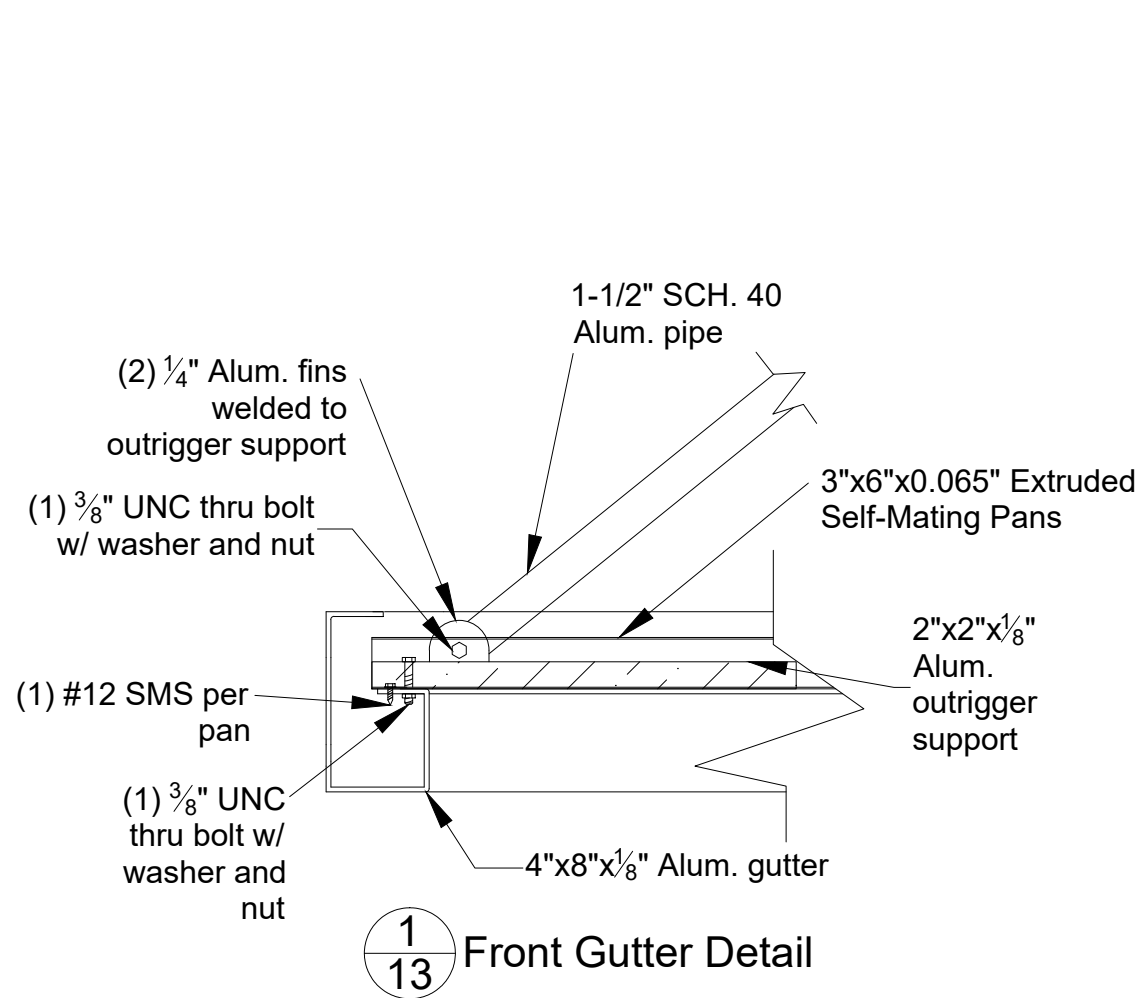
3/12 Rear Gutter Detail



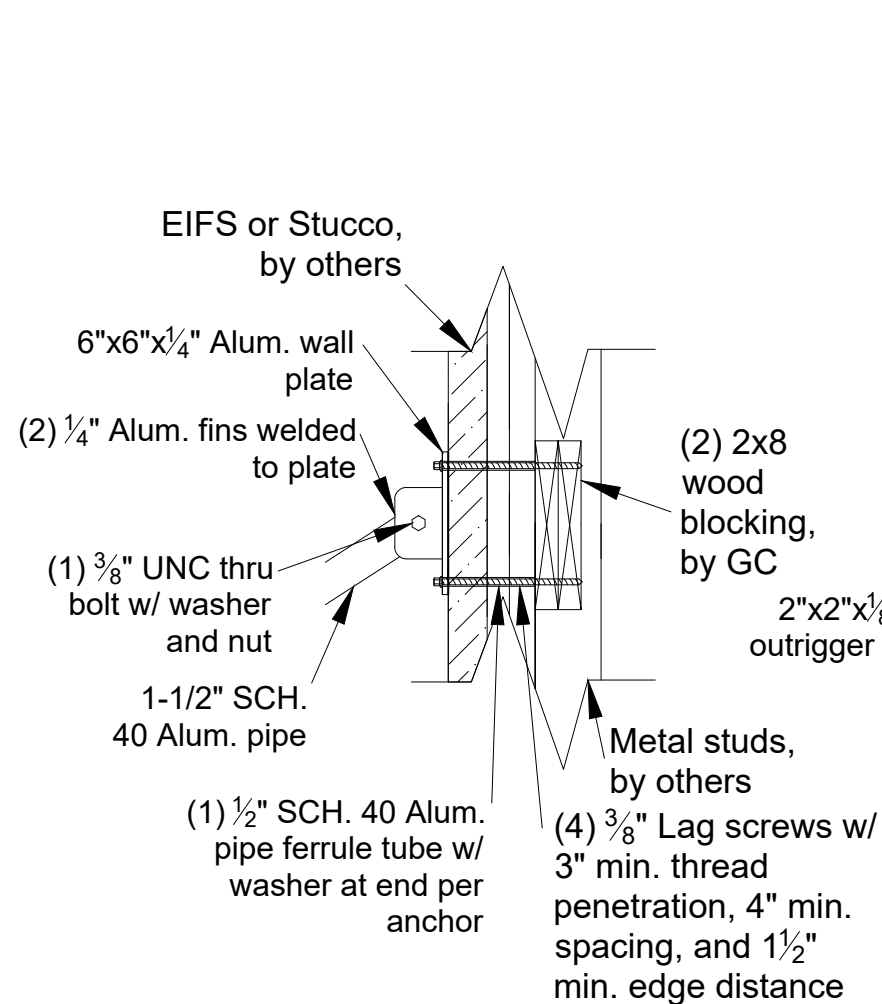
GHRC-300

SCALE:N/A	APPROVED BY:	DRAWN BY: ES
DATE: 4/23/19		REVISION:
FOR:		Drawing Number: 12 of 13

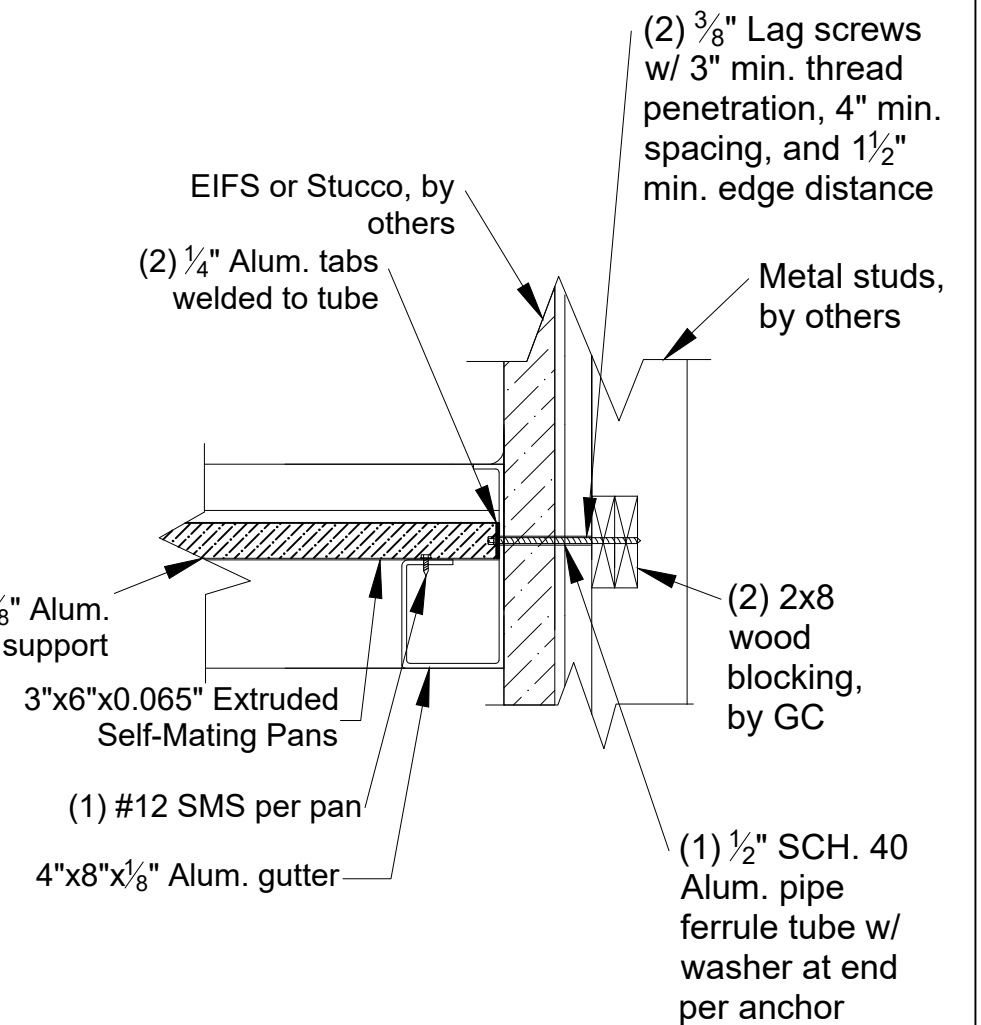
THESE DRAWINGS WERE PREPARED BY AND ARE THE SOLE PROPERTY OF AIR-VENT EXTERIORS. UNAUTHORIZED USE OR REPRODUCTIONS IS STRICTLY PROHIBITED. AIR-VENT EXTERIORS ©



1/13 Front Gutter Detail



2/13 Wall Bracket Detail



3/13 Rear Gutter Detail



GHRC-300

SCALE:N/A	APPROVED BY:	DRAWN BY: ES
DATE: 4/23/19		REVISION:
FOR:	Drawing Number: 13 of 13	

THESE DRAWINGS WERE PREPARED BY AND ARE THE SOLE PROPERTY OF AIR-VENT EXTERIORS. UNAUTHORIZED USE OR REPRODUCTIONS IS STRICTLY PROHIBITED. AIR-VENT EXTERIORS ©