

Air-Vent Exteriors

GHRC-200



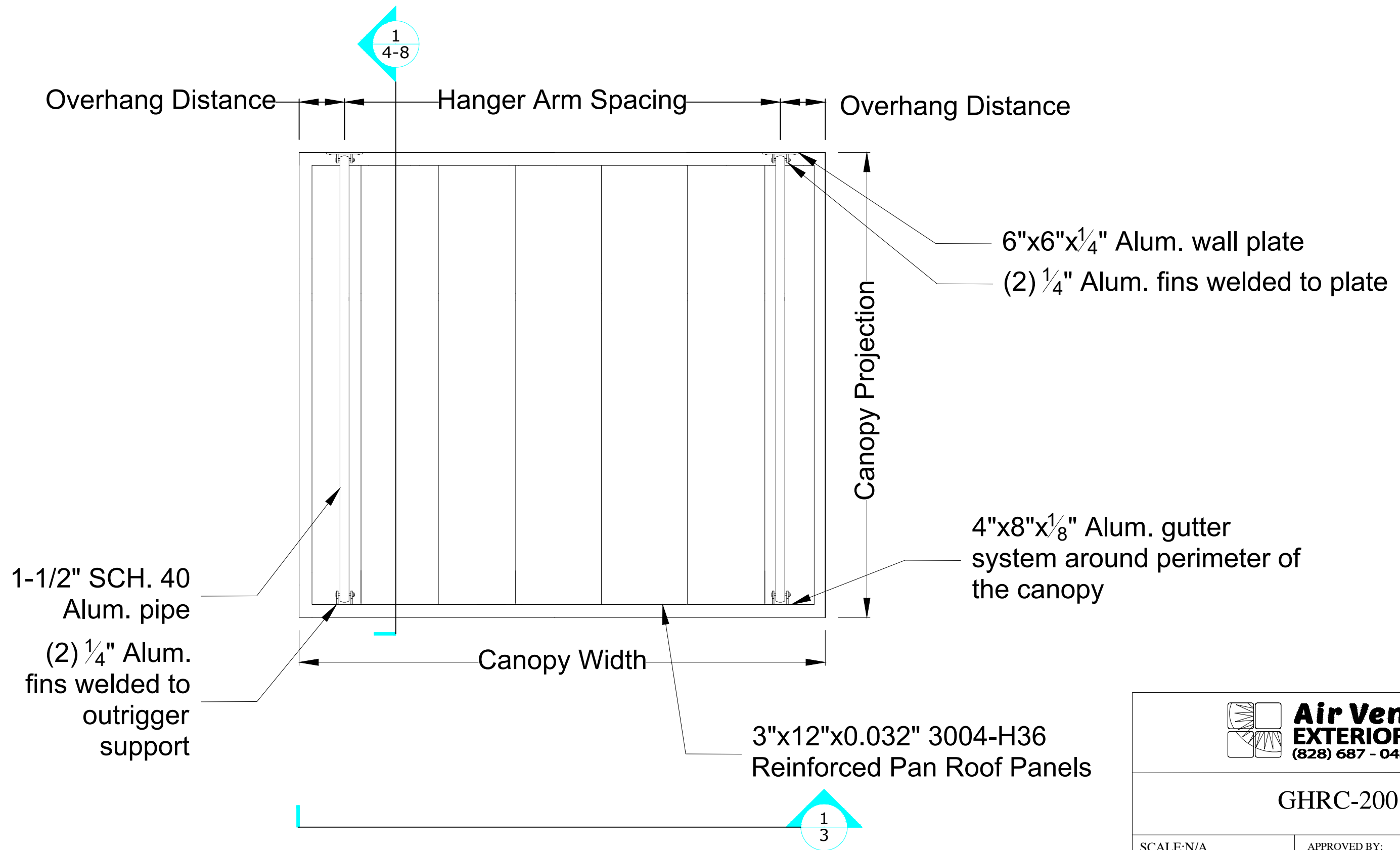
$\frac{1}{1}$
 Canopy Isometric View



GHRC-200

SCALE:N/A	APPROVED BY:	DRAWN BY: ES
DATE: 4/23/19		REVISION:
FOR:		Drawing Number: 1 of 13

THESE DRAWINGS WERE PREPARED BY AND ARE THE SOLE PROPERTY OF AIR-VENT EXTERIORS. UNAUTHORIZED USE OR REPRODUCTIONS IS STRICTLY PROHIBITED. AIR-VENT EXTERIORS ©



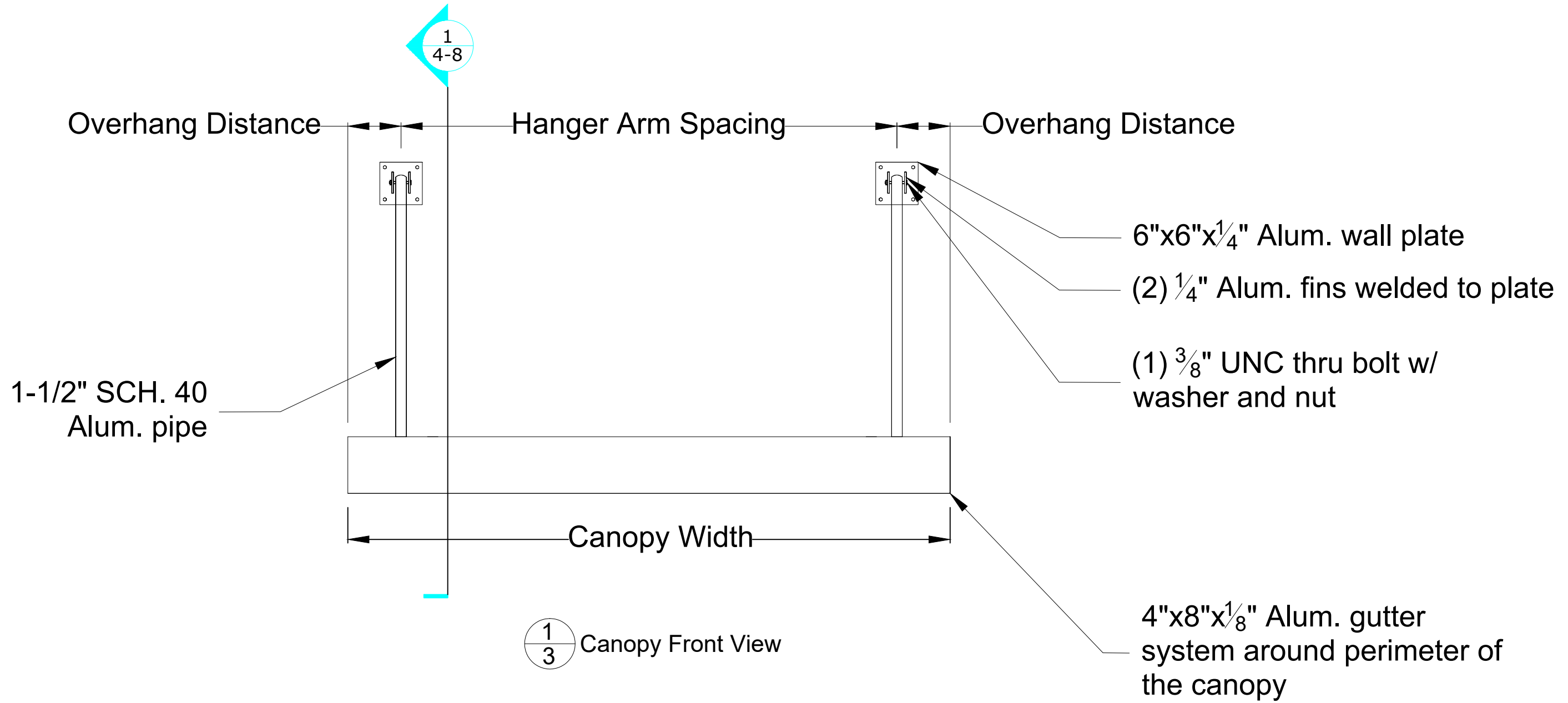
1/2 Canopy Plan View



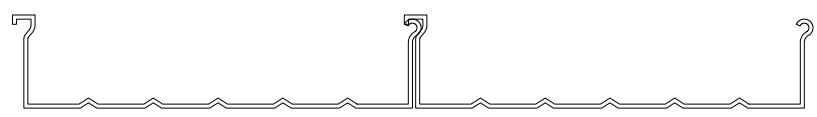
GHRC-200

SCALE: N/A	APPROVED BY:	DRAWN BY: ES
DATE: 4/23/19		REVISION:
FOR:		Drawing Number: 2 of 13

THESE DRAWINGS WERE PREPARED BY AND ARE THE SOLE PROPERTY OF AIR-VENT EXTERIORS. UNAUTHORIZED USE OR REPRODUCTIONS IS STRICTLY PROHIBITED. AIR-VENT EXTERIORS ©



1
3 Canopy Front View



3"x12"x.032" 3004-H36 Reinforced Pan Roof Panels

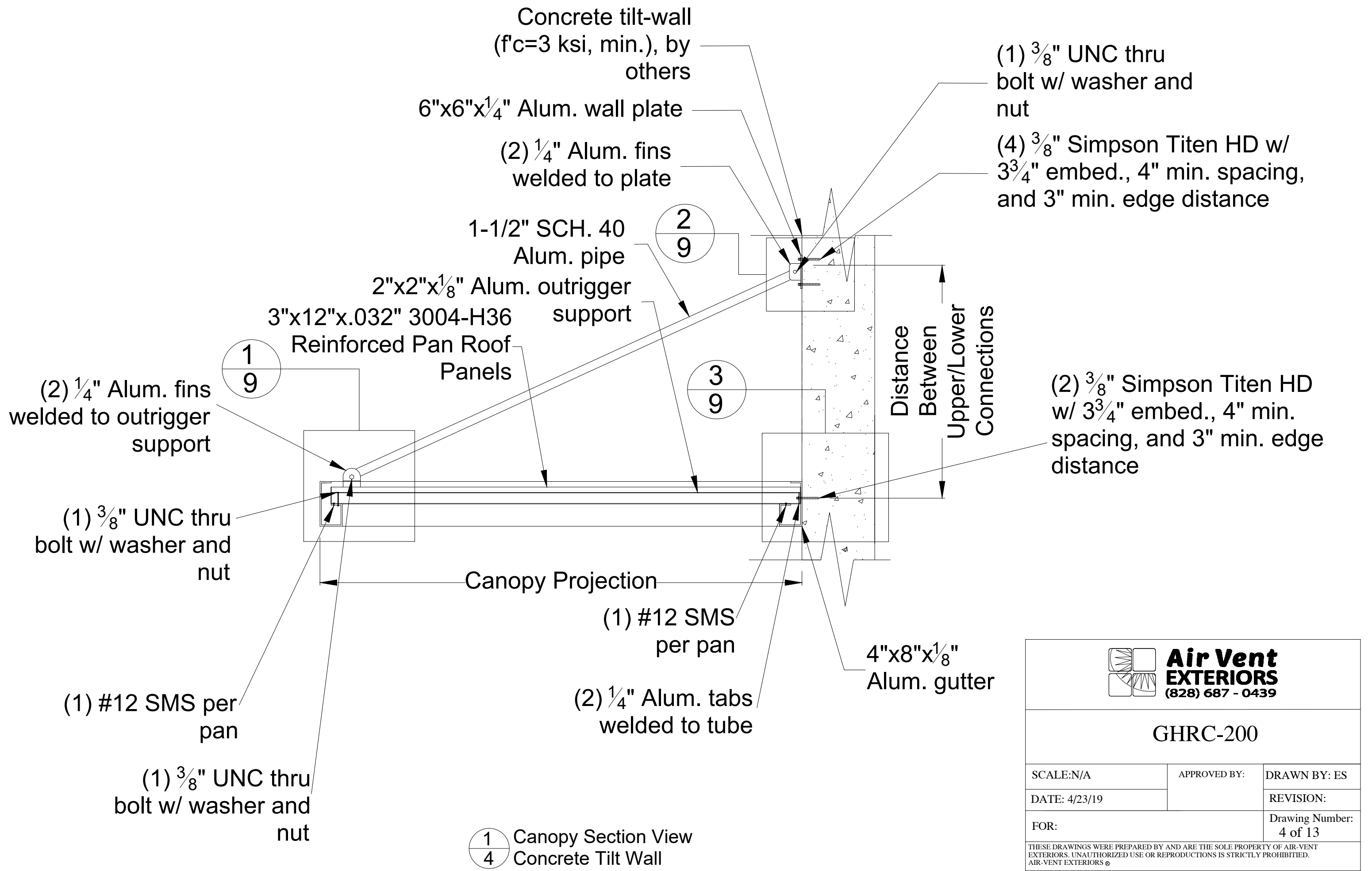
2
3 Decking Detail



GHRC-200

SCALE: N/A	APPROVED BY:	DRAWN BY: ES
DATE: 4/23/19		REVISION:
FOR:		Drawing Number: 3 of 13

THESE DRAWINGS WERE PREPARED BY AND ARE THE SOLE PROPERTY OF AIR-VENT EXTERIORS. UNAUTHORIZED USE OR REPRODUCTIONS IS STRICTLY PROHIBITED. AIR-VENT EXTERIORS ©



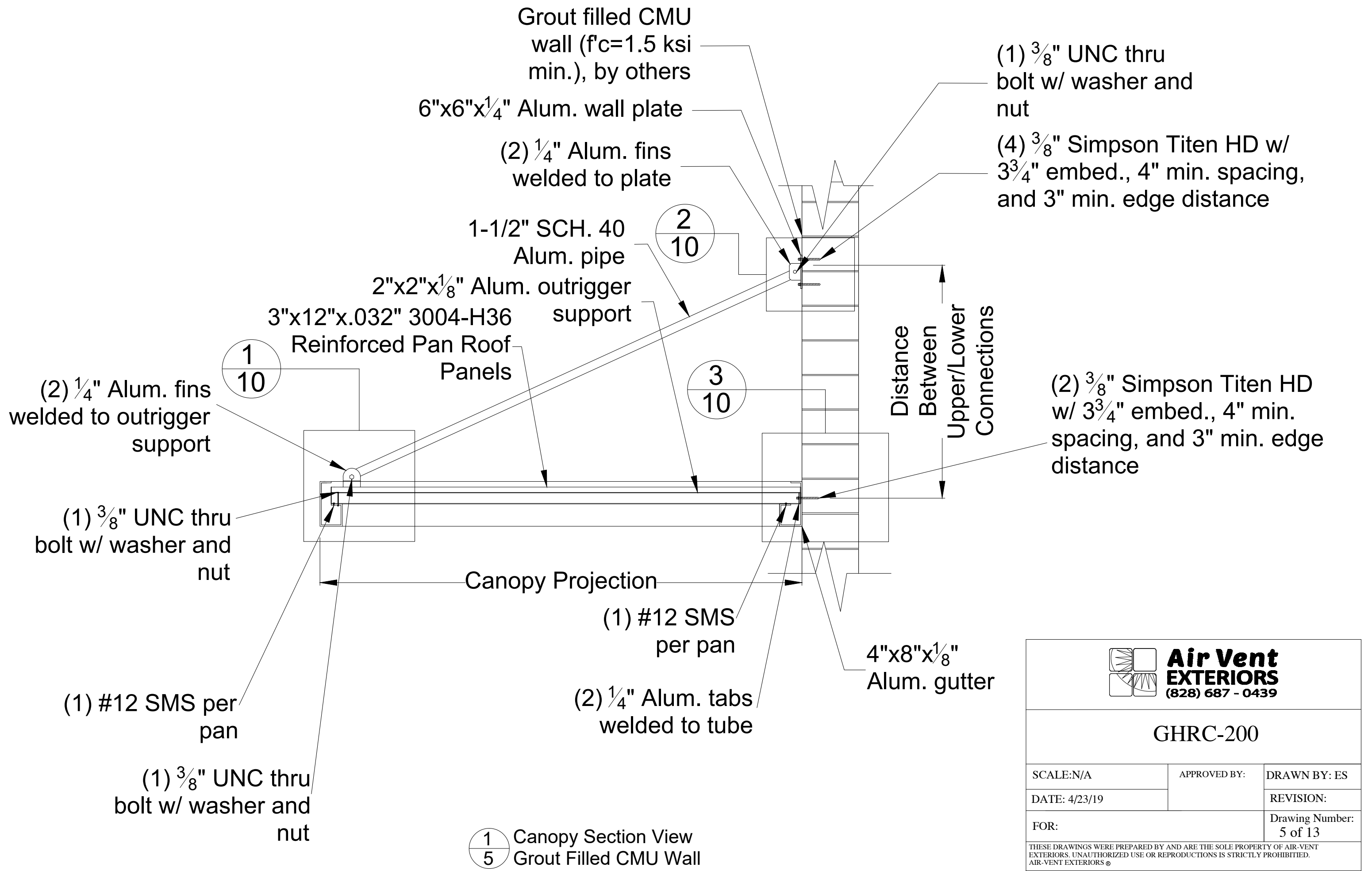
1 Canopy Section View
4 Concrete Tilt Wall



GHRC-200

SCALE:N/A	APPROVED BY:	DRAWN BY: ES
DATE: 4/23/19		REVISION:
FOR:	Drawing Number: 4 of 13	

THESE DRAWINGS WERE PREPARED BY AND ARE THE SOLE PROPERTY OF AIR-VENT EXTERIORS. UNAUTHORIZED USE OR REPRODUCTIONS IS STRICTLY PROHIBITED. AIR-VENT EXTERIORS ©



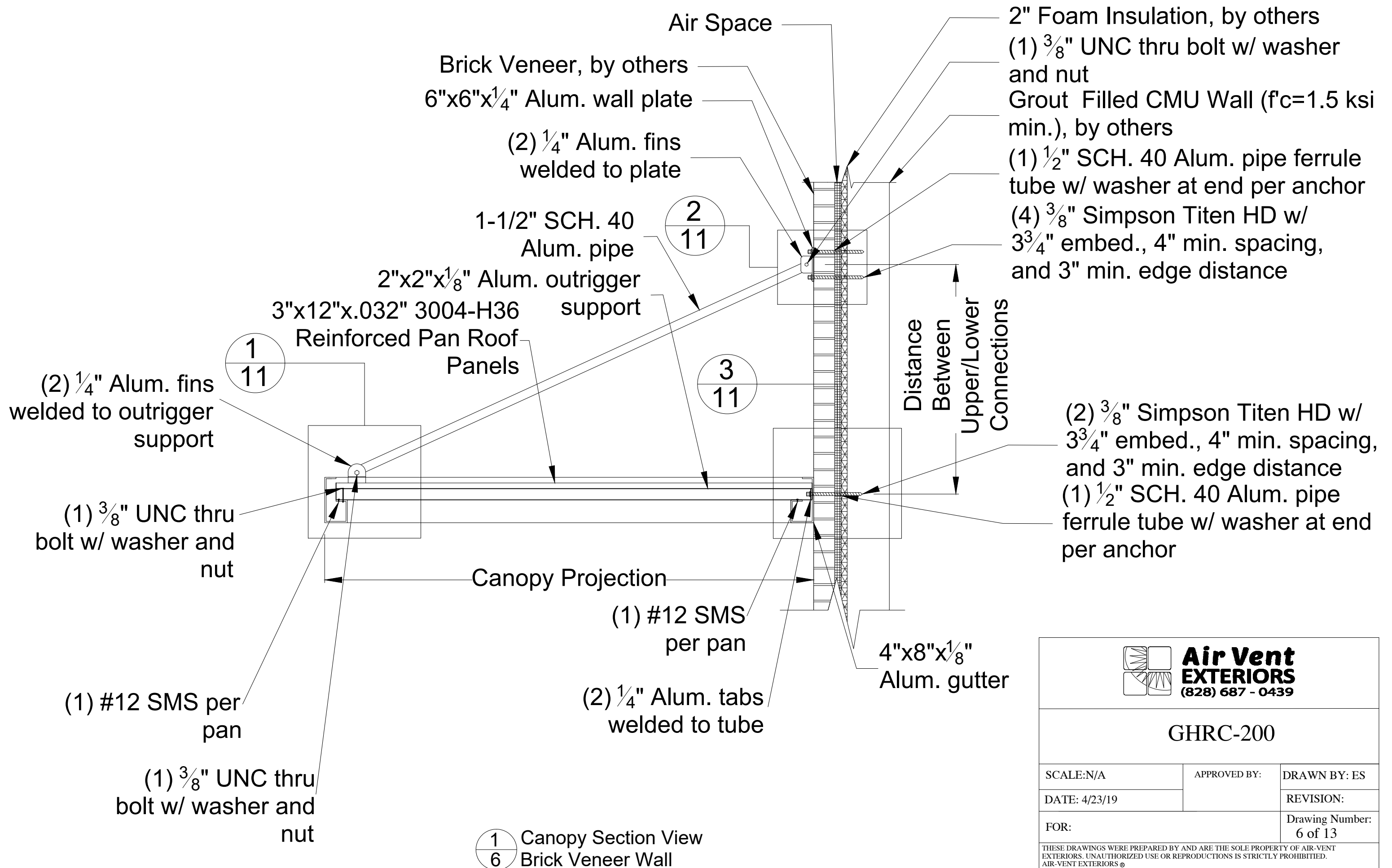
1 Canopy Section View
5 Grout Filled CMU Wall



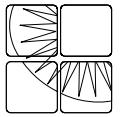
GHRC-200

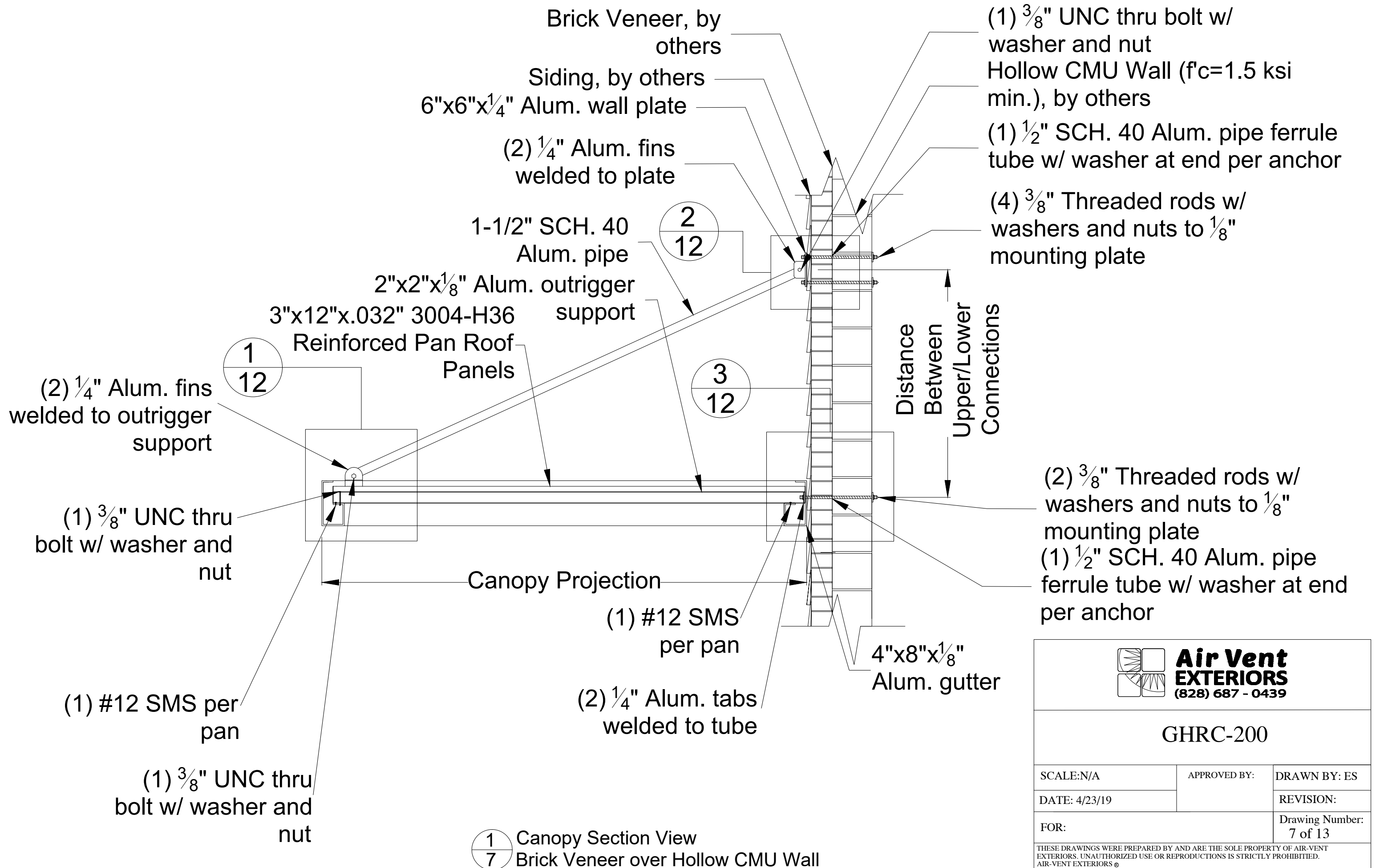
SCALE: N/A	APPROVED BY:	DRAWN BY: ES
DATE: 4/23/19		REVISION:
FOR:		Drawing Number: 5 of 13

THESE DRAWINGS WERE PREPARED BY AND ARE THE SOLE PROPERTY OF AIR-VENT EXTERIORS. UNAUTHORIZED USE OR REPRODUCTIONS IS STRICTLY PROHIBITED. AIR-VENT EXTERIORS ©



1 Canopy Section View
6 Brick Veneer Wall

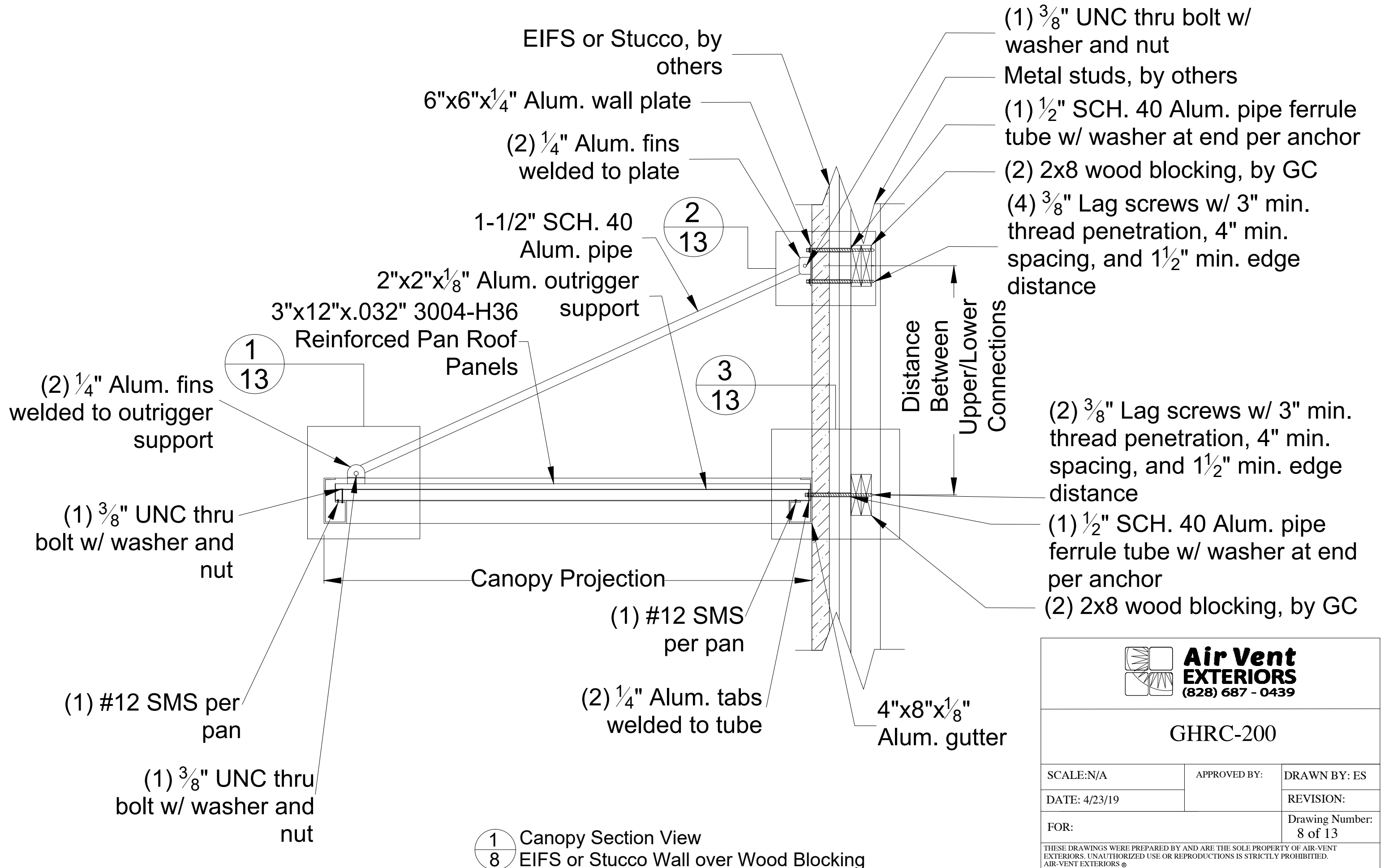
 Air Vent EXTERIORS (828) 687 - 0439		
GHRC-200		
SCALE: N/A	APPROVED BY:	DRAWN BY: ES
DATE: 4/23/19		REVISION:
FOR:	Drawing Number: 6 of 13	
<small>THESE DRAWINGS WERE PREPARED BY AND ARE THE SOLE PROPERTY OF AIR-VENT EXTERIORS. UNAUTHORIZED USE OR REPRODUCTIONS IS STRICTLY PROHIBITED. AIR-VENT EXTERIORS®</small>		



GHRC-200

SCALE:N/A	APPROVED BY:	DRAWN BY: ES
DATE: 4/23/19		REVISION:
FOR:	Drawing Number: 7 of 13	

THESE DRAWINGS WERE PREPARED BY AND ARE THE SOLE PROPERTY OF AIR-VENT EXTERIORS. UNAUTHORIZED USE OR REPRODUCTIONS IS STRICTLY PROHIBITED. AIR-VENT EXTERIORS ©

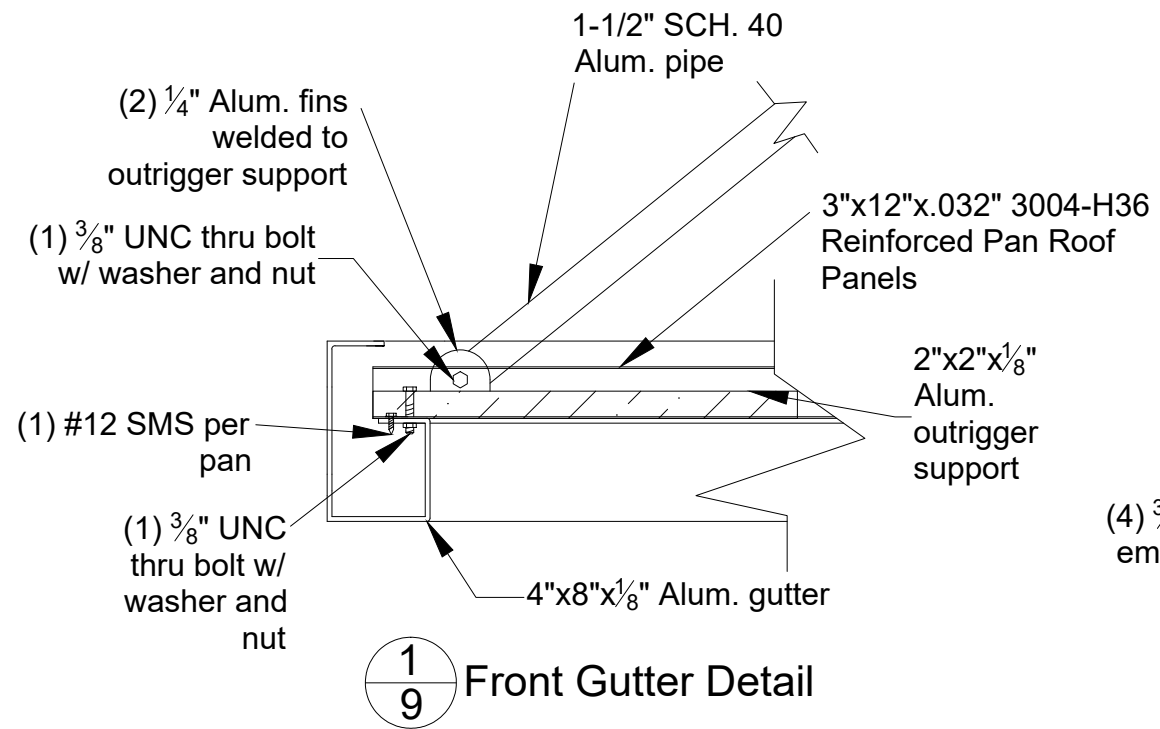


GHRC-200

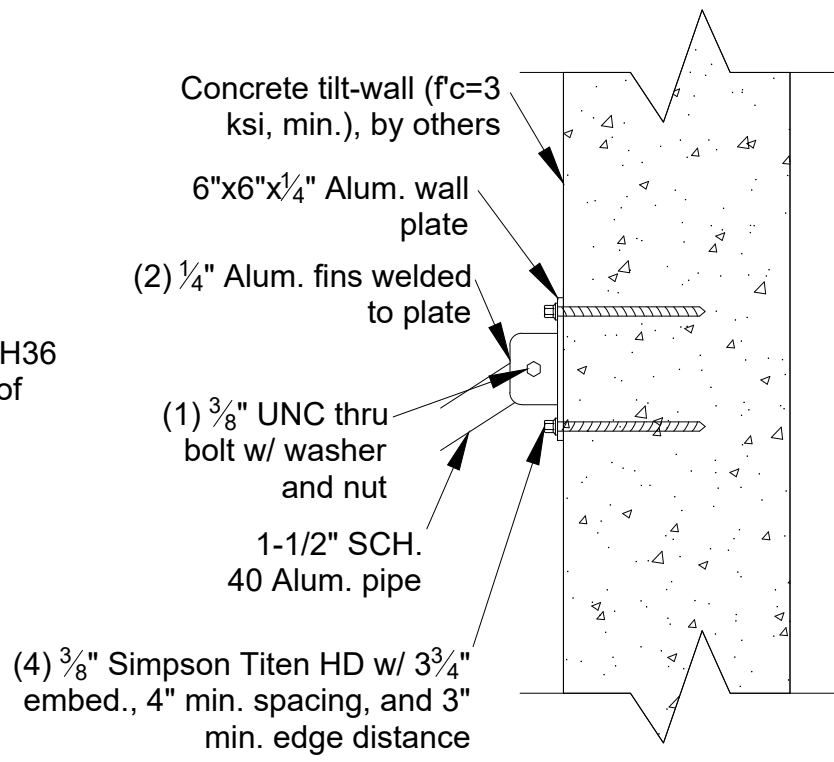
SCALE:N/A	APPROVED BY:	DRAWN BY: ES
DATE: 4/23/19		REVISION:
FOR:	Drawing Number: 8 of 13	

THESE DRAWINGS WERE PREPARED BY AND ARE THE SOLE PROPERTY OF AIR-VENT EXTERIORS. UNAUTHORIZED USE OR REPRODUCTIONS IS STRICTLY PROHIBITED. AIR-VENT EXTERIORS ©

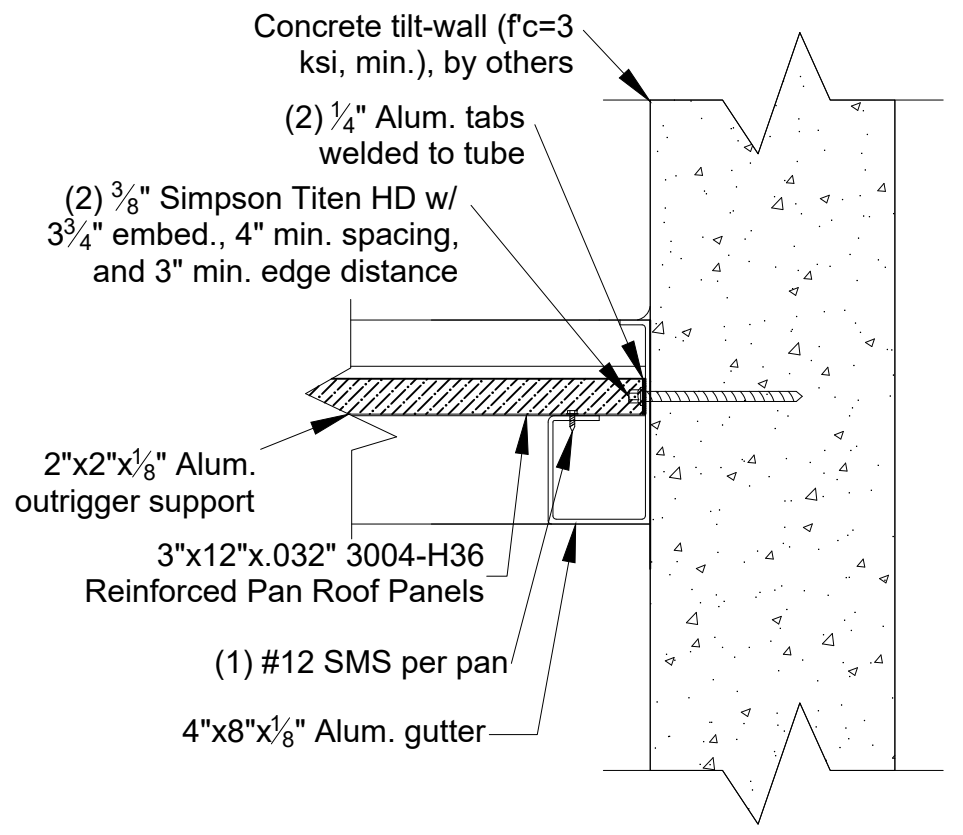
1 Canopy Section View
8 EIFS or Stucco Wall over Wood Blocking



1/9 Front Gutter Detail



2/9 Wall Bracket Detail



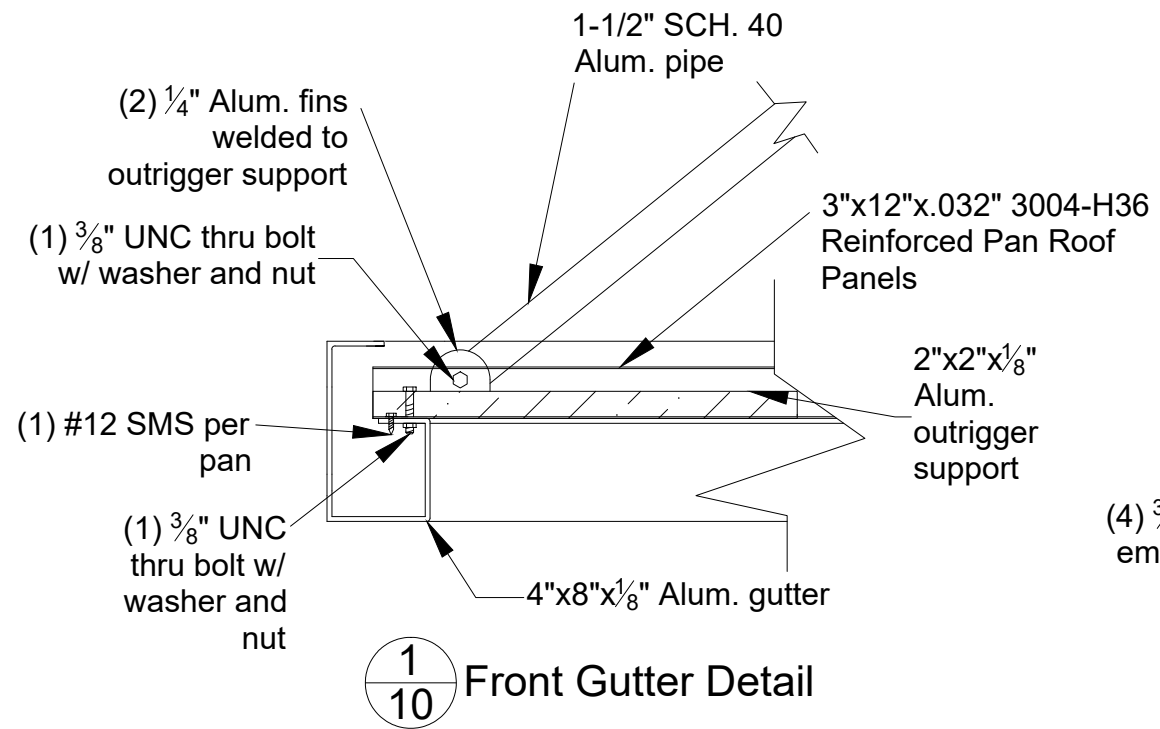
3/9 Rear Gutter Detail



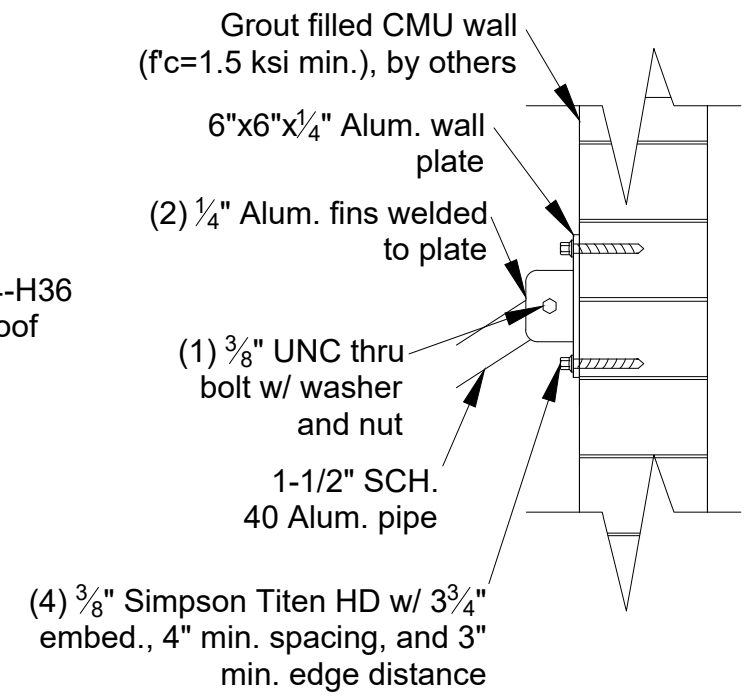
GHRC-200

SCALE:N/A	APPROVED BY:	DRAWN BY: ES
DATE: 4/23/19		REVISION:
FOR:		Drawing Number: 9 of 13

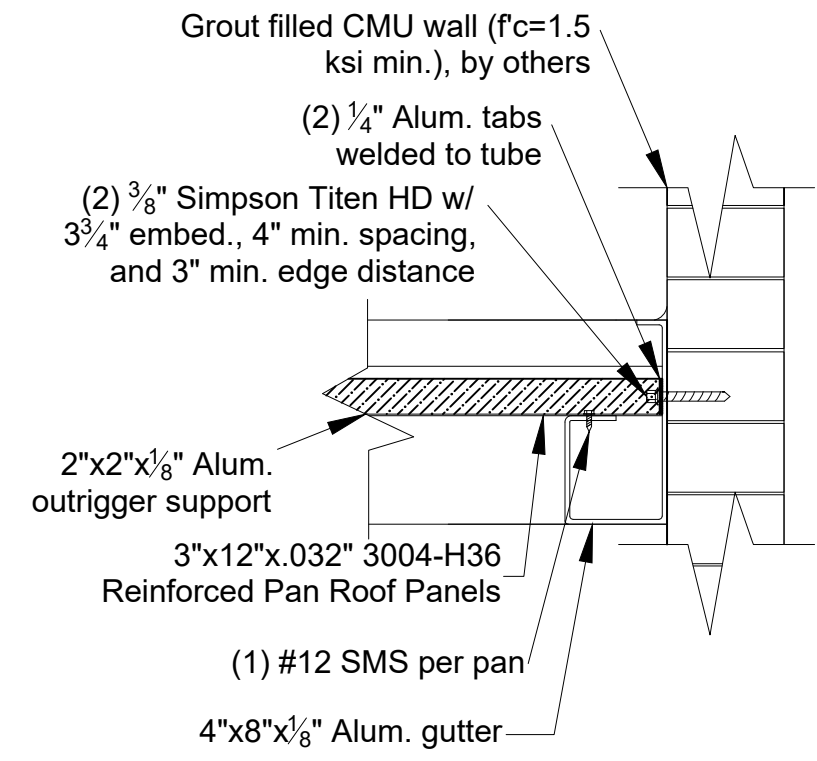
THESE DRAWINGS WERE PREPARED BY AND ARE THE SOLE PROPERTY OF AIR-VENT EXTERIORS. UNAUTHORIZED USE OR REPRODUCTIONS IS STRICTLY PROHIBITED. AIR-VENT EXTERIORS ©



1/10 Front Gutter Detail



2/10 Wall Bracket Detail



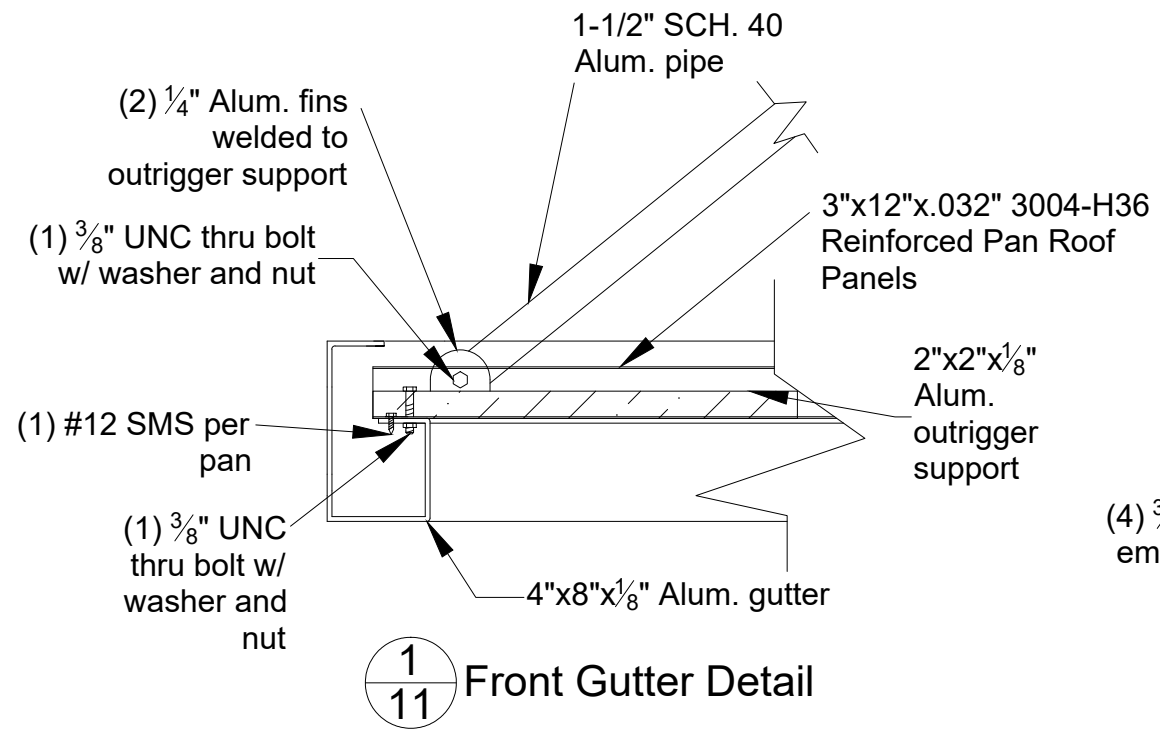
3/10 Rear Gutter Detail



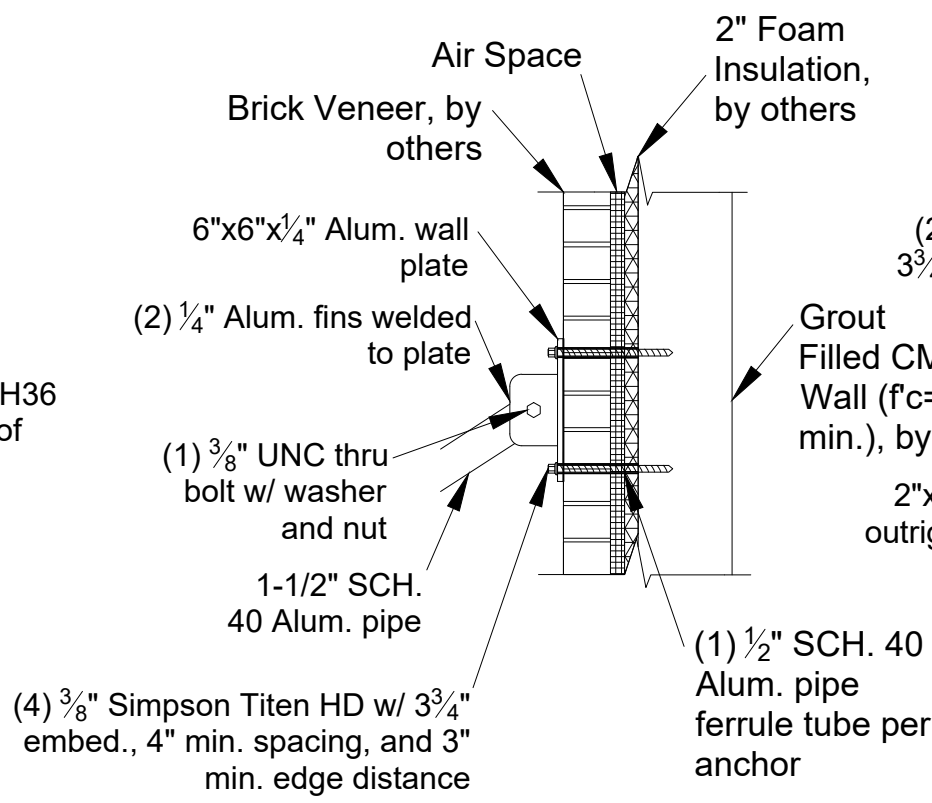
GHRC-200

SCALE:N/A	APPROVED BY:	DRAWN BY: ES
DATE: 4/23/19		REVISION:
FOR:	Drawing Number: 10 of 13	

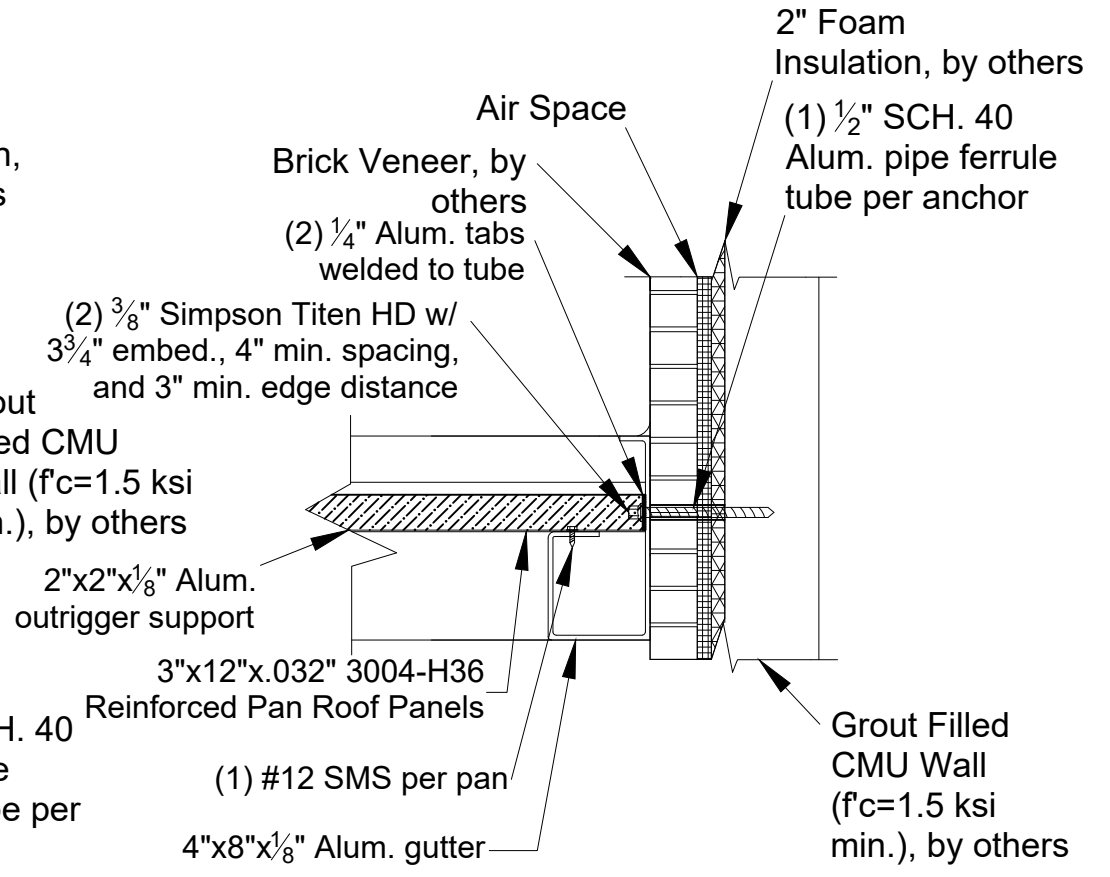
THESE DRAWINGS WERE PREPARED BY AND ARE THE SOLE PROPERTY OF AIR-VENT EXTERIORS. UNAUTHORIZED USE OR REPRODUCTIONS IS STRICTLY PROHIBITED. AIR-VENT EXTERIORS ©



1
11 Front Gutter Detail



2
11 Wall Bracket Detail



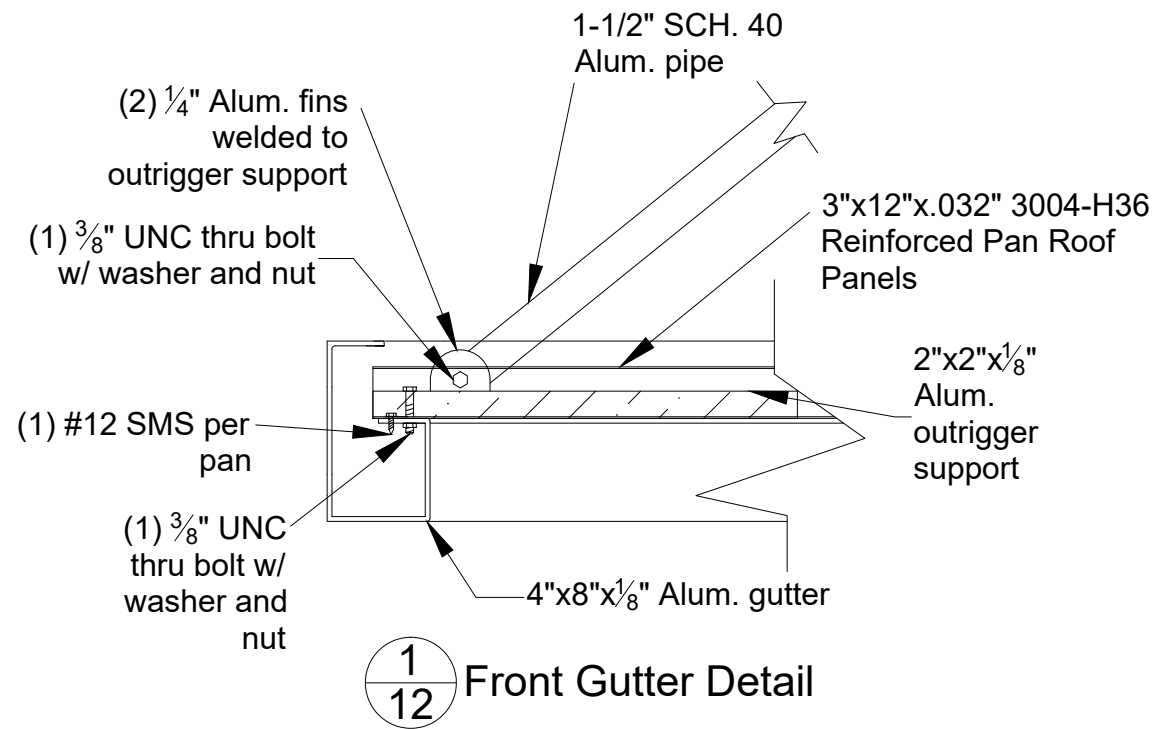
3
11 Rear Gutter Detail



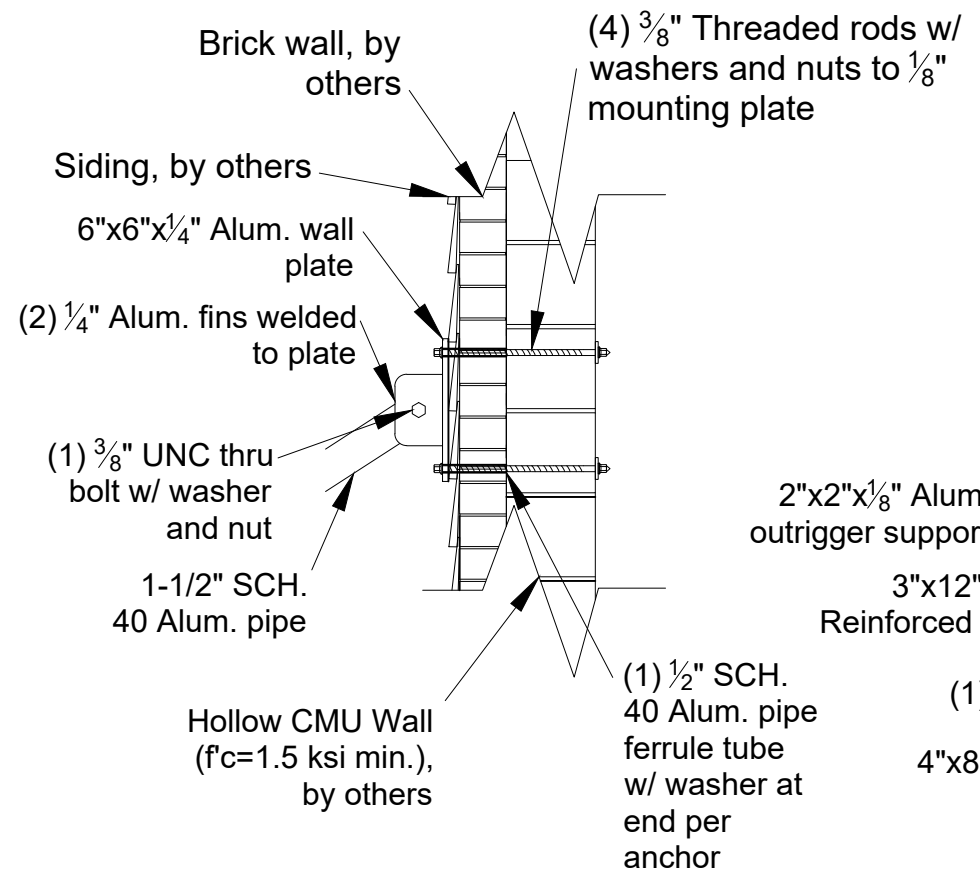
GHRC-200

SCALE:N/A	APPROVED BY:	DRAWN BY: ES
DATE: 4/23/19		REVISION:
FOR:	Drawing Number: 11 of 13	

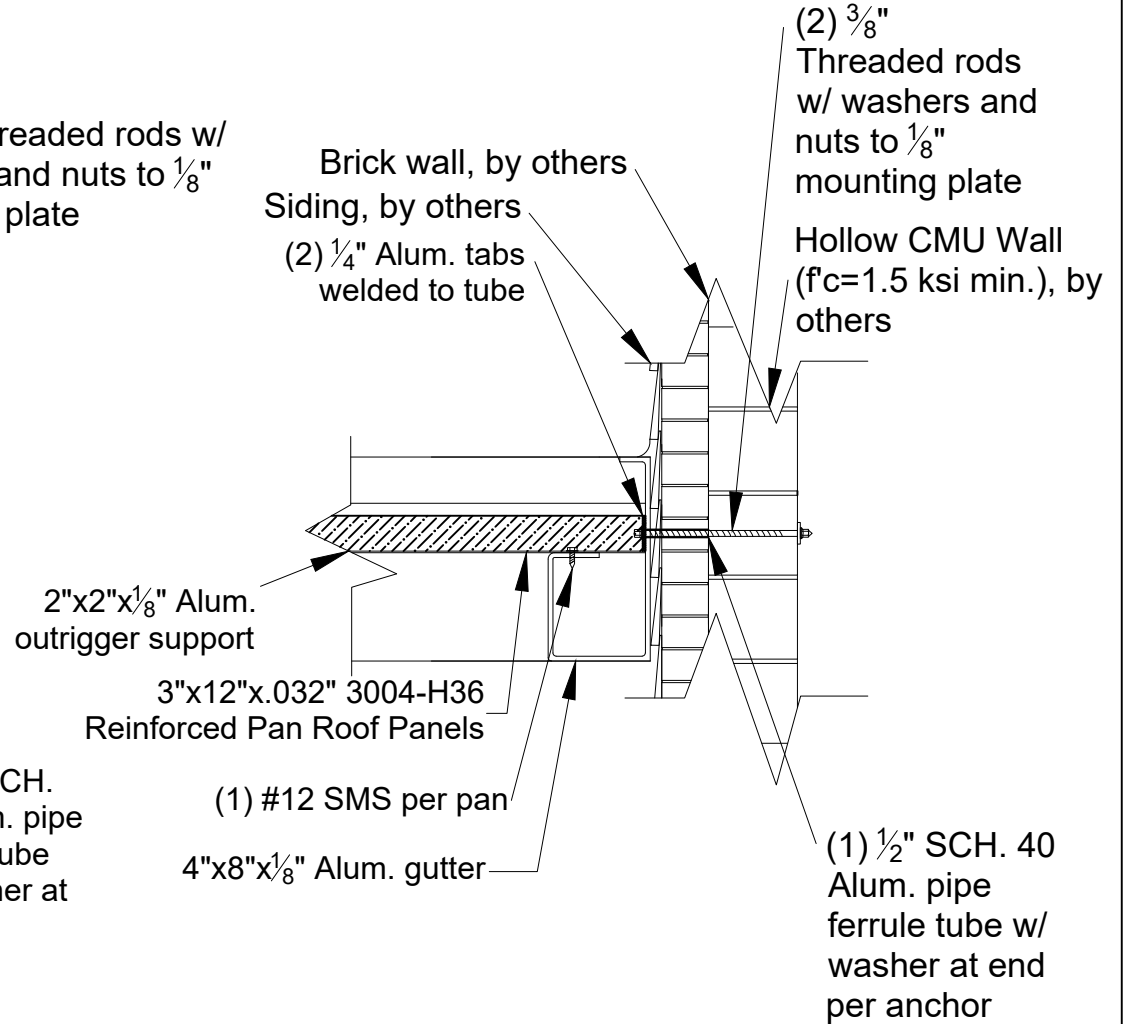
THESE DRAWINGS WERE PREPARED BY AND ARE THE SOLE PROPERTY OF AIR-VENT EXTERIORS. UNAUTHORIZED USE OR REPRODUCTIONS IS STRICTLY PROHIBITED. AIR-VENT EXTERIORS ©



1/12 Front Gutter Detail



2/12 Wall Bracket Detail



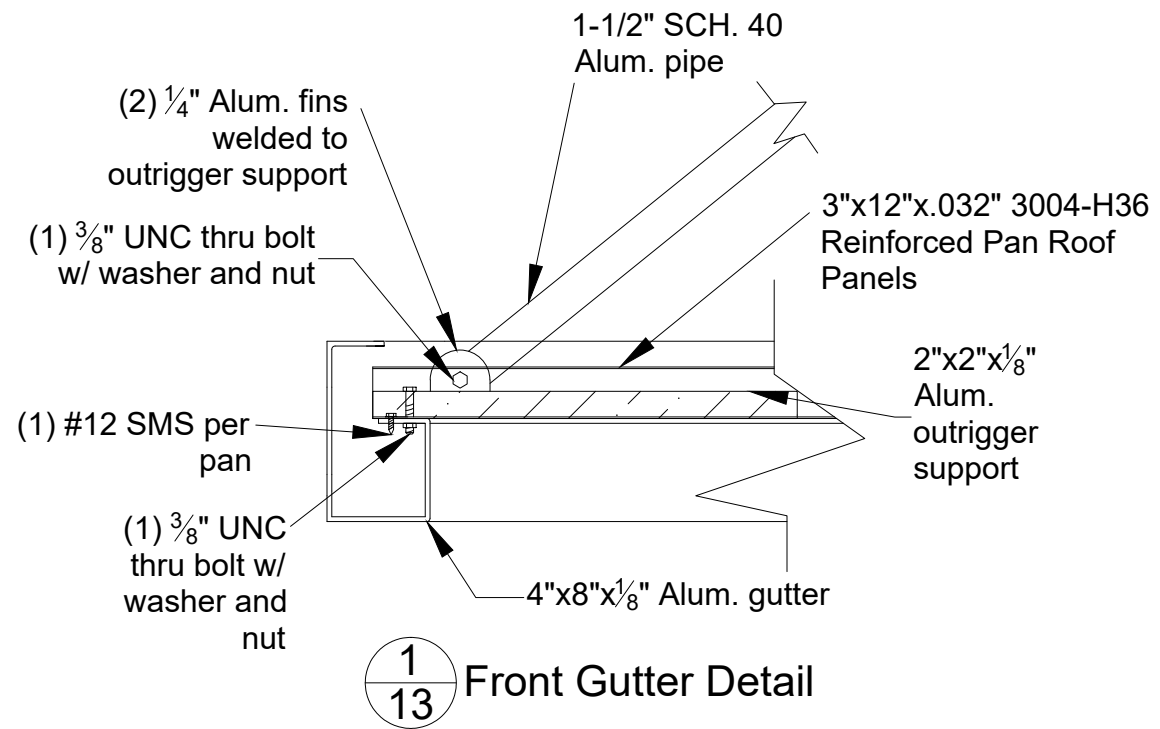
3/12 Rear Gutter Detail



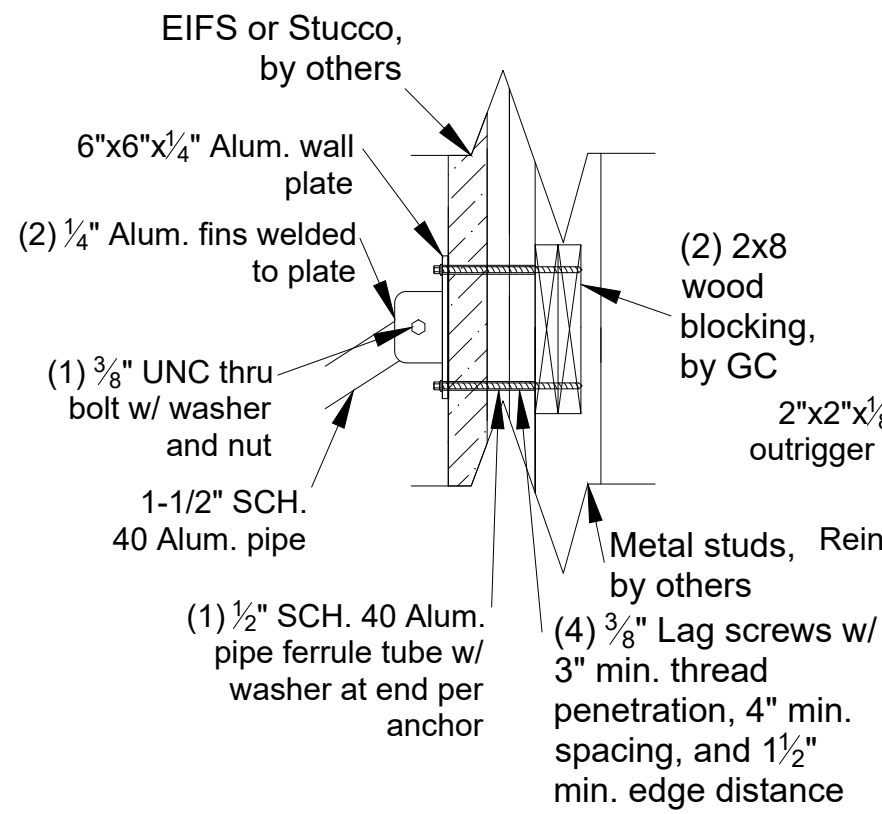
GHRC-200

SCALE:N/A	APPROVED BY:	DRAWN BY: ES
DATE: 4/23/19		REVISION:
FOR:	Drawing Number: 12 of 13	

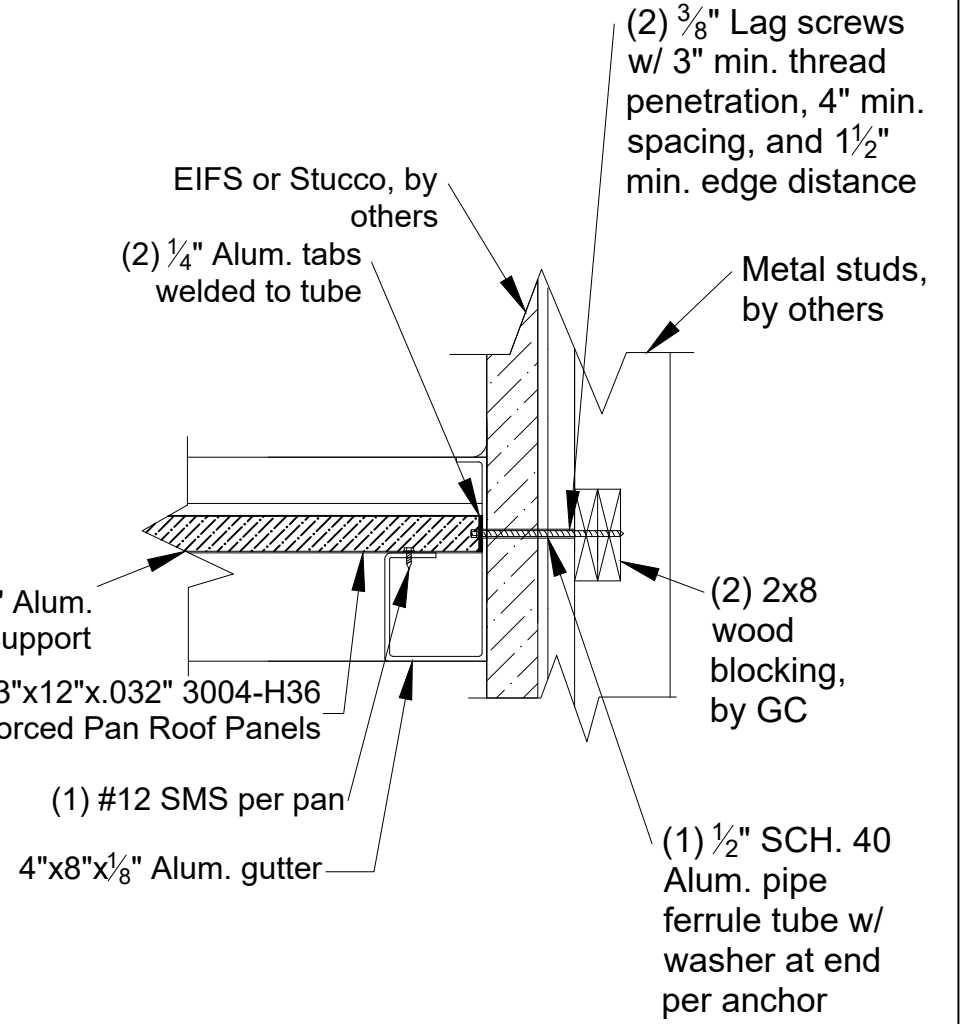
THESE DRAWINGS WERE PREPARED BY AND ARE THE SOLE PROPERTY OF AIR-VENT EXTERIORS. UNAUTHORIZED USE OR REPRODUCTIONS IS STRICTLY PROHIBITED. AIR-VENT EXTERIORS ©



1/13 Front Gutter Detail



2/13 Wall Bracket Detail



3/13 Rear Gutter Detail



GHRC-200

SCALE:N/A	APPROVED BY:	DRAWN BY: ES
DATE: 4/23/19		REVISION:
FOR:	Drawing Number: 13 of 13	

THESE DRAWINGS WERE PREPARED BY AND ARE THE SOLE PROPERTY OF AIR-VENT EXTERIORS. UNAUTHORIZED USE OR REPRODUCTIONS IS STRICTLY PROHIBITED. AIR-VENT EXTERIORS ©